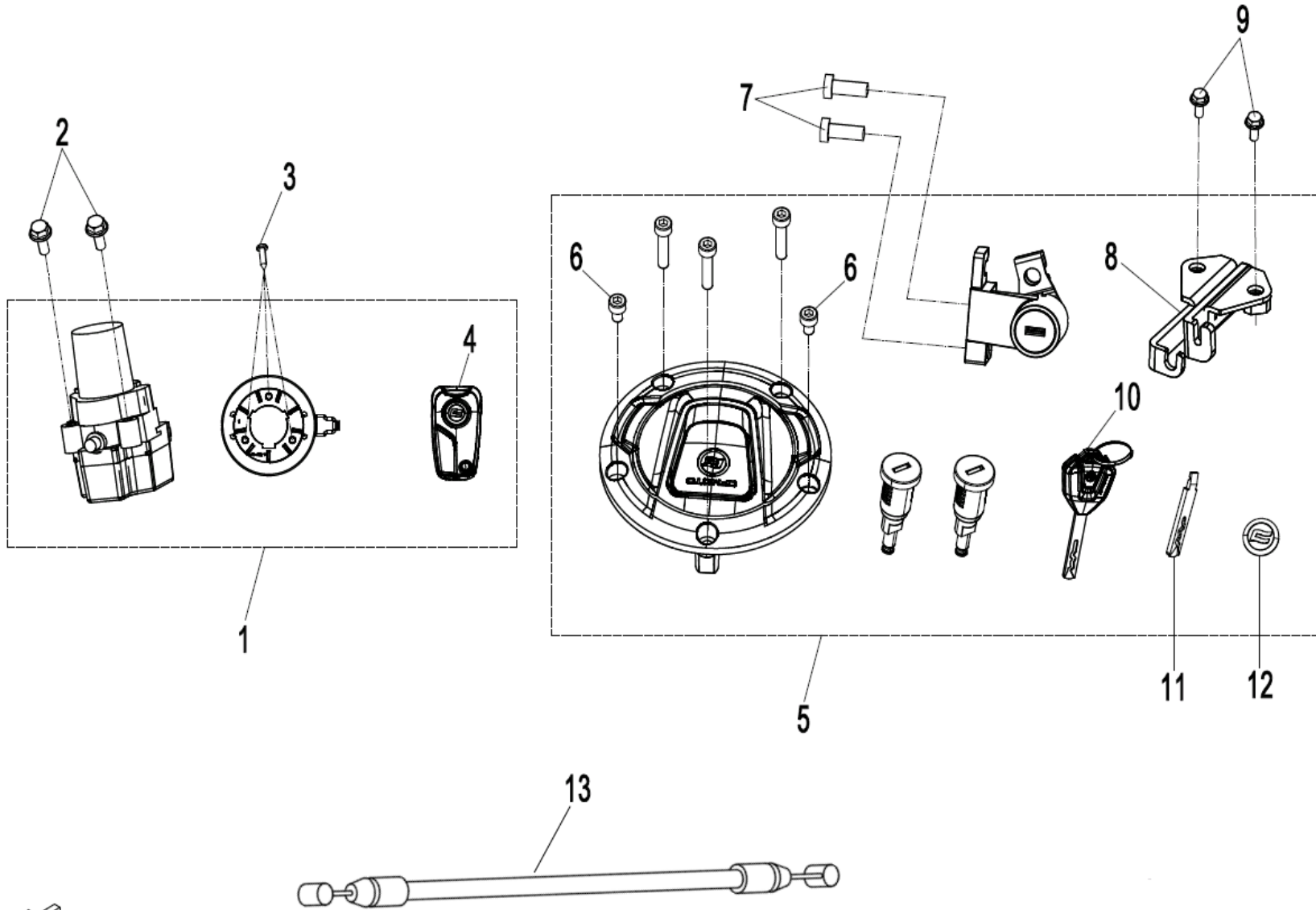
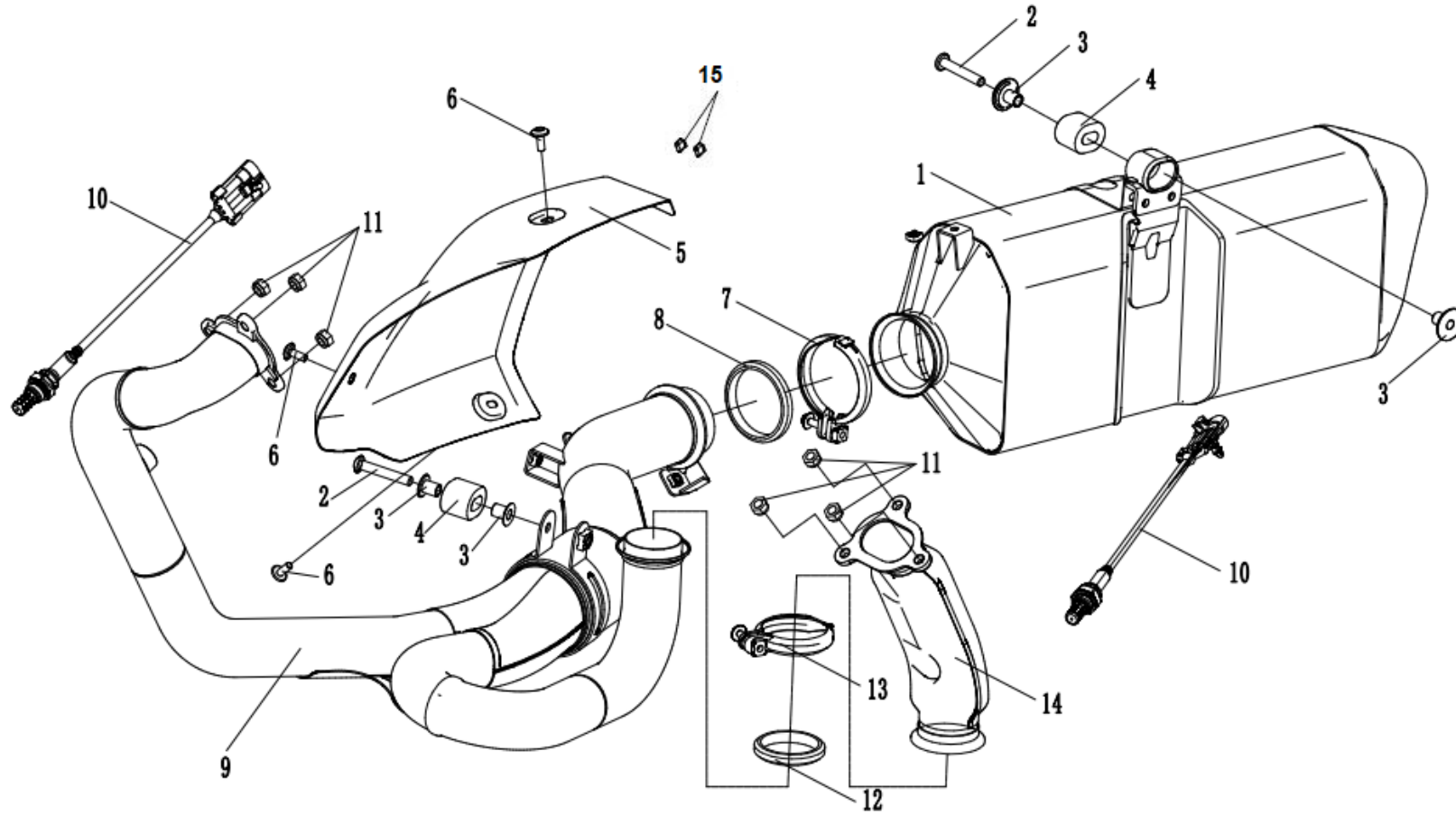


# F01锁具总成/LOCK ASSY



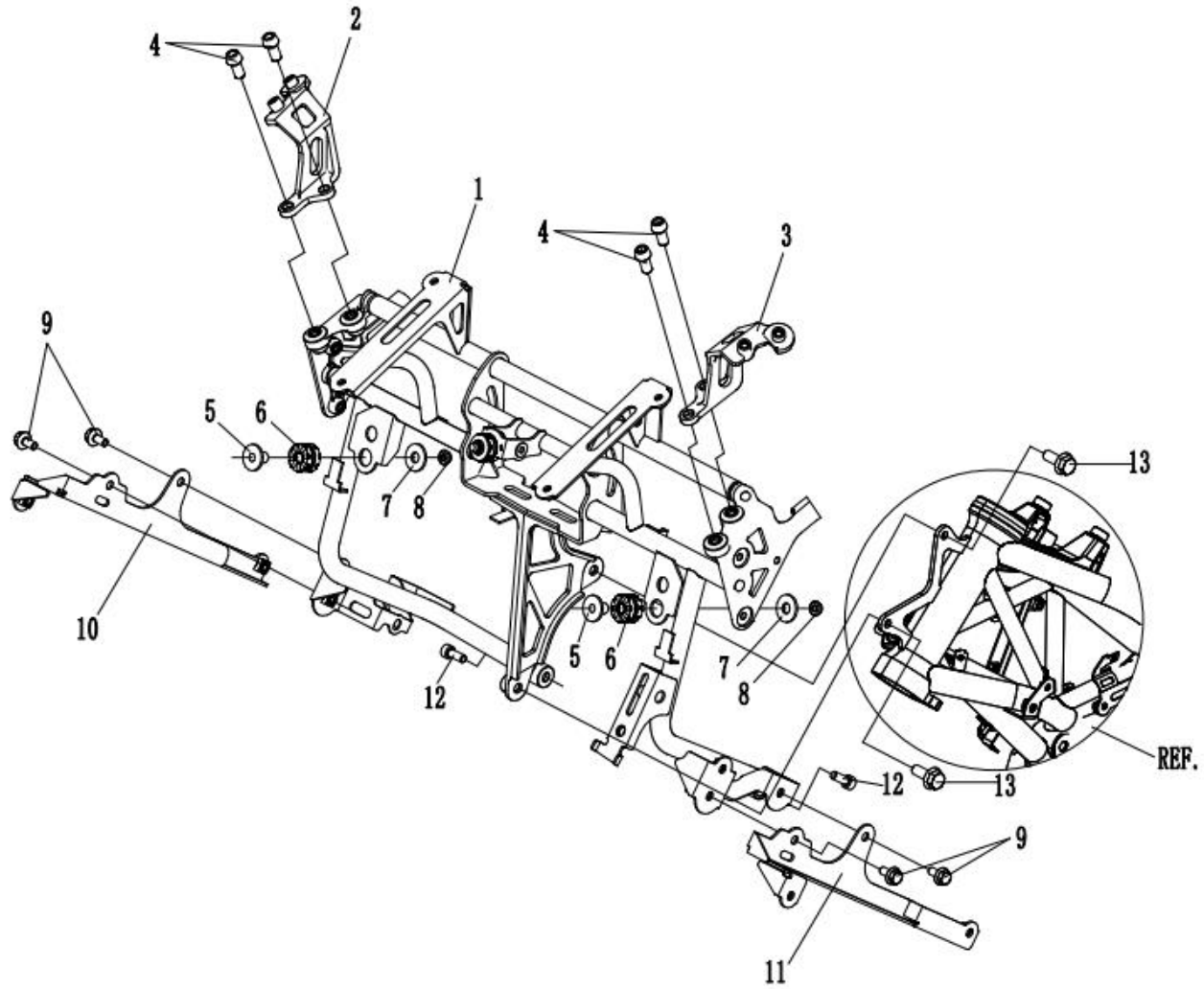
NO.	CODE	EN DESCRIPTION	QTY	REMARKS
F01-01	6GUV-011100-7000	KEYLESS-GO LOCK KIT	1	
F01-02	30102-080020810	SCREW M8x20	2	
F01-03	30118-420130010	SELF-TAPPING SCREW ST4.2x13	3	
F01-04	6WWV-011130-5100-M1	ACTIVE TRANSPONDER	1	
F01-05	6L32-011200	LOCK KIT	1	
F01-06	30102-050008900	INNER HEX SCREW M5x8	2	
F01-07	30105-050012410	SCREW M5x12	2	
F01-08	A000-010600	LOCK SEAT, SEAT	1	
F01-09	30006-060012810	BOLT M6x12	2	ALT:- 30006-060012870
F01-10	6KMV-011020-B001	KEY	2	
F01-11	6L32-011200-4000-22	KEY CARD	1	
F01-12	6WWV-011150-5100	KEY ROUND LABEL	1	
F01-13	6NT1-010010	SEAT CABLE	1	

消声器总成/MUFFLER COMP



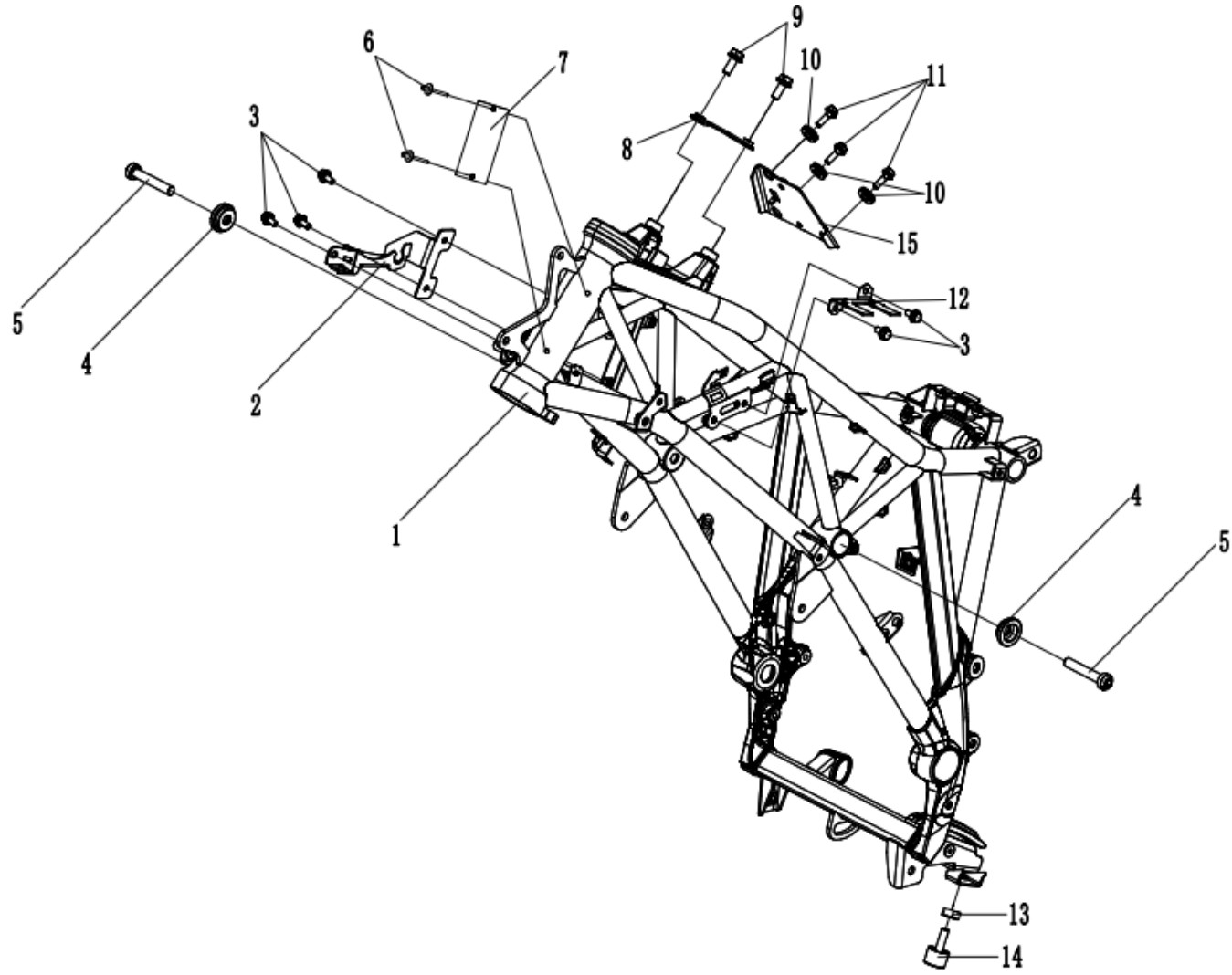
NO.	CODE	EN DESCRIPTION	QTY	REMARKS
F02-01	6L30-021300-30000	MUFFLER BODY ASSY	1	
F02-02	6L30-020003	INNER HEX SCREW M8x52	2	
F02-03	6L30-020006	T-TYPE BUSHING	4	
F02-04	6L30-020001	DAMPING SLEEVE, MUFFLER	2	
F02-05	6L30-020040	DECO GUARD, MUFFLER	1	
F02-06	A010-120003	BOLT M6x16	3	ALT:- 6NQ#-000206-6001
F02-07	6L30-021020	CALMP 2	1	
F02-08	6L30-021002	SEAL SLEEVE 2, GRAPHITE	1	
F02-09	6L30-021200-30000	EXHAUST PIPE ASSY	1	
F02-10	0HU0-176000	OXYGEN SENSOR	2	
F02-11	6L30-020005	LOCK NUT	6	
F02-12	6L30-021001	SEAL SLEEVE 1, GRAPHITE	1	
F02-13	6L30-021010	CALMP 1	1	
F02-14	6L30-021100-10000	EXHAUST PIPE ASSY, SECOND CYLINDER	1	
F02-15	6GU#-021005-6000	GUARD RUBBER SLEEVE	2	

车架总成1/FAME ASSY 1



NO.	CODE	EN DESCRIPTION	QTY	REMARKS
F03-1-01	6L3V-030400-4200-0BP00	FRONT BRACKET	1	
F03-1-02	6L30-030006	BRACKET, RH POLICE LIGHT	1	
F03-1-03	6L30-030005	BRACKET, LH POLICE LIGHT	1	
F03-1-04	30102-080016810	INNER HEX BOLT	4	
F03-1-05	5020-031002	RUBBER SLEEVE LINER, FRONT LICENSE BRACKET	2	
F03-1-06	5020-031001	RUBBER SLEEVE, FRONT LICENSE BRACKET	2	
F03-1-07	30301-060412	WASHER M6	2	
F03-1-08	30202-060110	NUT M6	2	ALT:- 30204-060810
F03-1-09	30006-060012810	BOLT M6x12	4	ALT:- 30006-060012870
F03-1-10	6L3V-030030-4200	FRONT PANEL LH BRACKET ASSY	1	
F03-1-11	6L30-030040	LH BRACKET, FRONT PANEL	1	
F03-1-12	30102-060016810	SCREW M6X16	2	
F03-1-13	30006-080020810	BOLT M8x20	2	

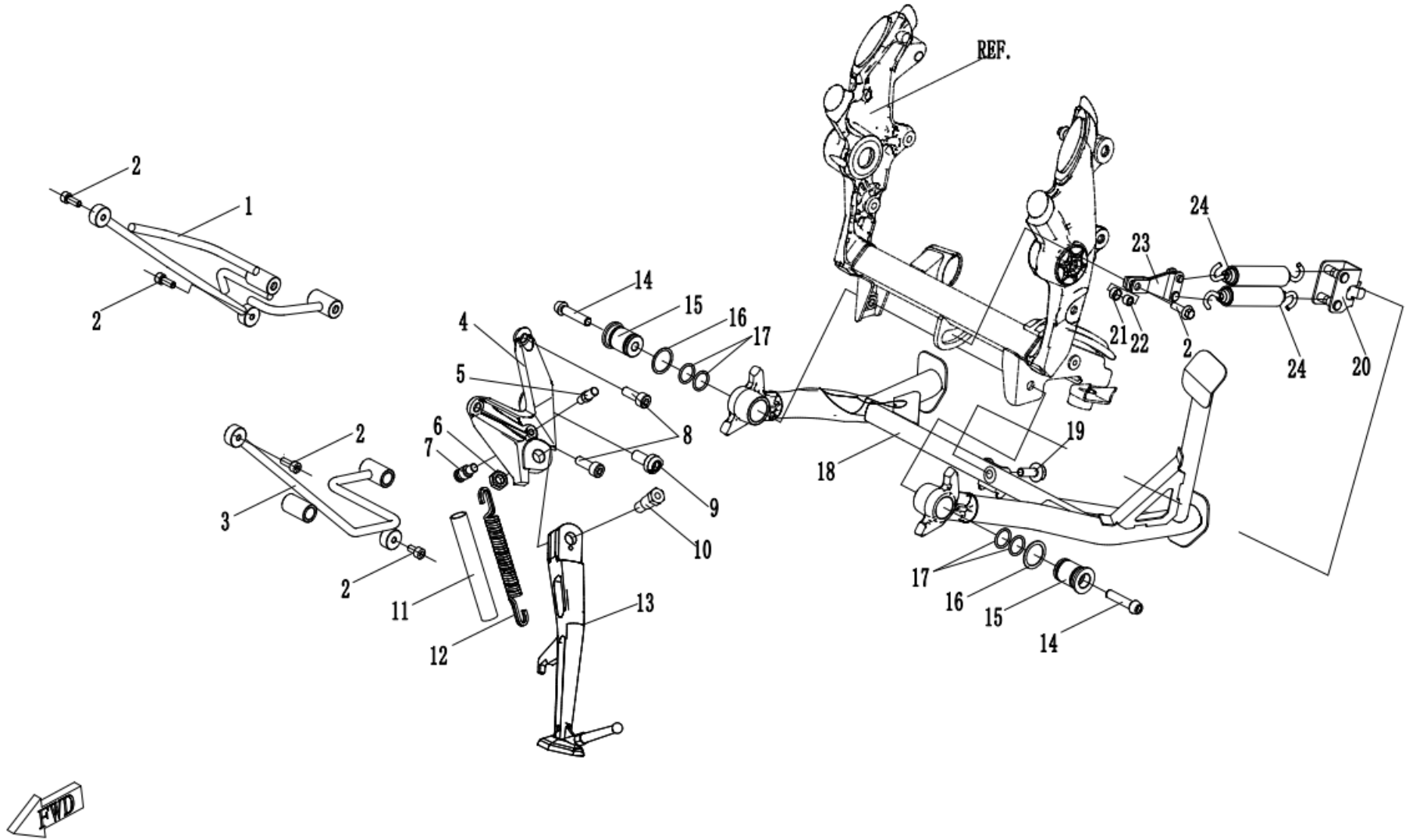
车架总成2/FRAME ASSY 2



NO.	CODE	EN DESCRIPTION	QTY	REMARKS
F03-2-01	6L30-030100-1BP00	MAIN BRACKET ASSY	1	
F03-2-02	6L30-080007	BRACKET, MSC CONTROLLER	1	
F03-2-03	30006-060012810	BOLT M6x12	5	ALT:- 30006-060012870
F03-2-04	6L30-030007	BUSHING	2	
F03-2-05	6L30-030091	BOLT M10x60	2	
F03-2-06	30902-0401320	BLIND RIVET M4x13	2	
F03-2-07	6FIA-190012	VIN PLATE	1	
F03-2-08	6L30-030800	FRONT BRACKET, FUEL TANK PANEL	1	
F03-2-09	30006-080035810	BOLT M8x35	2	
F03-2-10	9010-160101	RUBBER MAT, HEADLIGHT	3	
F03-2-11	30006-060020810	BOLT M6x20	3	ALT:- 30006-060020870
F03-2-12	6L30-030008-10000	BRACKET, CANISTER	1	
F03-2-13	30200-080810	NUT M8	1	
F03-2-14	6L30-030080	DAMPING MATE ASSY	1	
F03-2-15	6L30-030010	BRACKET, 6D SENSOR	1	

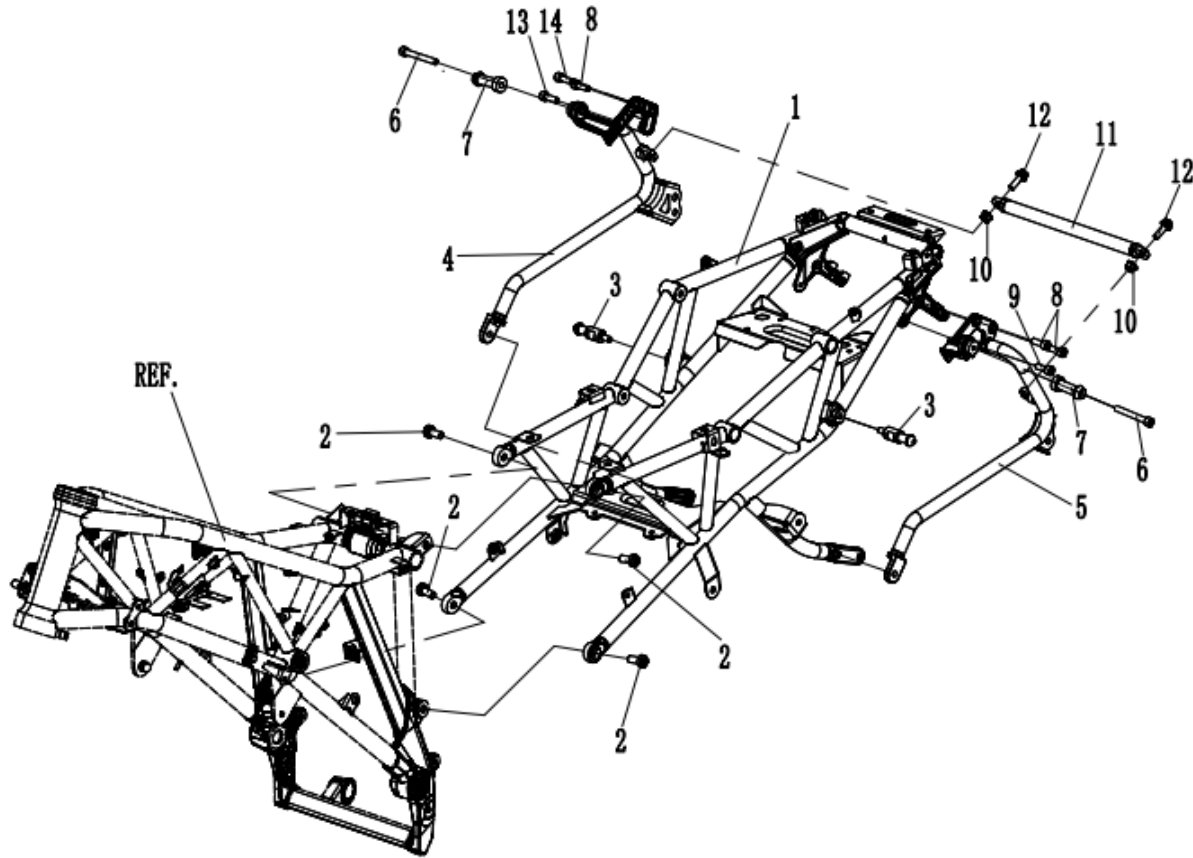


车架总成 3/FRAME ASSY 3



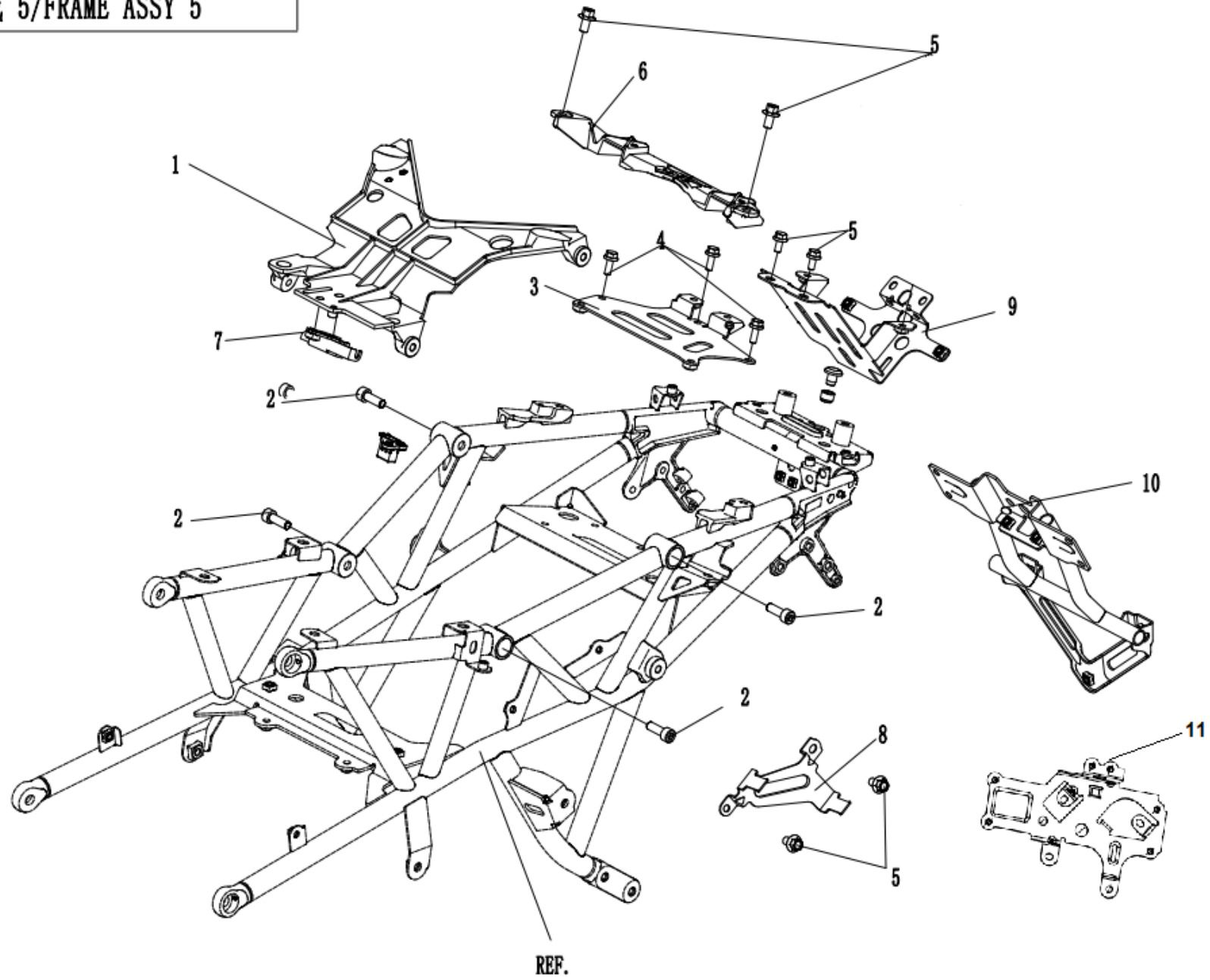
NO.	CODE	EN DESCRIPTION	QTY	REMARKS
F03-3-01	6L30-000120-0BP00	BRACKET, ENGINE RH GUARD	1	
F03-3-02	30102-060016810	SCREW	4	
F03-3-03	6L30-000110-0BP00	BRACKET, ENGINE LH GUARD	1	
F03-3-04	6L30-000002-0BP00	BRACKET, SIDE BRACKET	1	
F03-3-05	6L30-000004	SWITCH COLUMN, SIDE STAND	1	
F03-3-06	30208-102810	NUT M10x1.25	1	
F03-3-07	6L30-000003	SPRING COLUMN, SIDE BRACKET	1	
F03-3-08	30102-080025810	SCREW M8x25	2	
F03-3-09	30102-100030210	SCREW	1	
F03-3-10	A000-030006	BOLT, SIDE STAND	1	
F03-3-11	6L30-030071-10000	SPRING SLEEVE, SIDE BRACKET	1	
F03-3-12	6L32-030050	SPRING, SIDE BRACKET	1	
F03-3-13	6L32-030500-0BP00	SIDE BRACKET ASSY	1	
F03-3-14	30102-080050810	INNER HEX SCREW M8x50	2	ALT:- 30102-080050840
F03-3-15	6L30-030701	BUSHING MAIN BRACKET	2	
F03-3-16	6L30-030720	SELF-LOCK RETAINER KIT	2	
F03-3-17	1F30-024014	O-SEAL RING 17x2	4	
F03-3-18	6L30-030100-1BP00	MAIN BRACKET ASSY	1	
F03-3-19	30006-080025810	BOLT M8x25	1	
F03-3-20	6L30-030600-0BP00	LOWER BRACKET ASSY, MAIN BRACKET	1	
F03-3-21	6L30-030704	STEEL OUTER SLIDING BUSHING	1	
F03-3-22	6L30-030703	COPPER INNER SLIDING BUSHING	1	
F03-3-23	6L30-030300-0BP00	UPPER BRACKET ASSY, MAIN BRACKET	1	
F03-3-24	6L30-030710	SPRING KIT, MAIN BRACKET	2	

车架总成 4/FAME ASSY 4



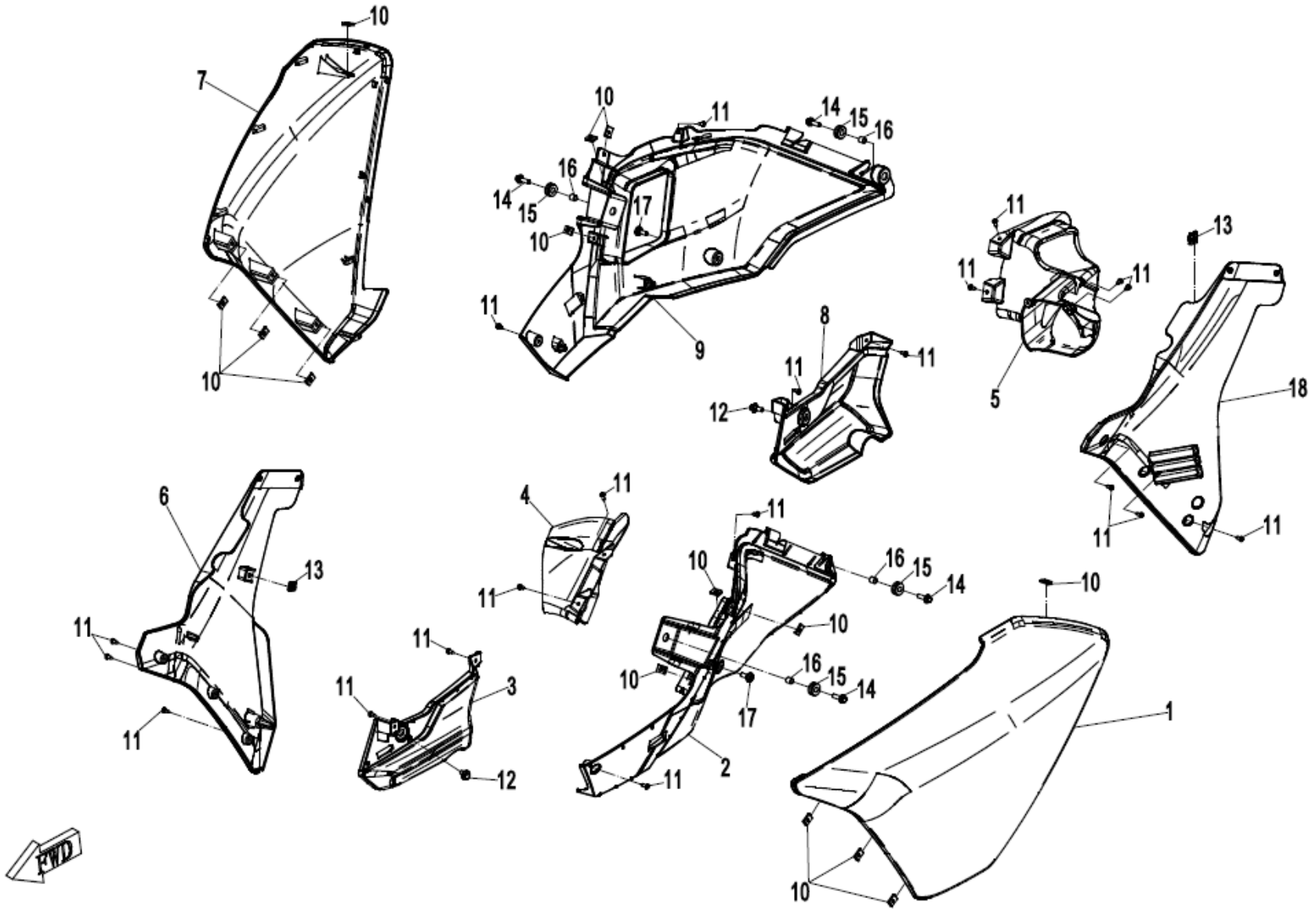
NO.	CODE	EN DESCRIPTION	QTY	REMARKS
F03-4-01	6L3V-032000-4200-0BP00	REAR FRAME ASSY	1	
F03-4-02	6L30-030092	BOLT M10x22	4	
F03-4-03	6L30-220002	SUPPORTOR, SIDE BOX	2	
F03-4-04	6L30-220200-1BP00	BRACKET ASSY, RH SIDE BOX	1	
F03-4-05	6L30-220100-1BP00	BRACKET ASSY, LH SIDE BOX	1	
F03-4-06	30102-080060810	SCREW M8x60	2	
F03-4-07	6L30-220001	SHAFT, SIDE BOX LOCK TONGUE	2	
F03-4-08	30102-080025810	SCREW M8x25	3	
F03-4-09	30102-080020810	SCREW M8x20	1	
F03-4-10	30204-080810	NUT M8	2	
F03-4-11	6L30-220300-0BP00	RERA CONNECTING BRACKCET ASSY	1	
F03-4-12	30006-080025810	BOLT M8x25	2	
F03-4-13	30102-080030810	SCREW M8x30	1	
F03-4-14	30102-080050810	INNER HEX SCREW M8x50	1	ALT:- 30102-080050840

车架总成 5 / FRAME ASSY 5



NO.	CODE	EN DESCRIPTION	QTY	REMARKS
F03-5-01	6L32-030009	BRACKET, SEAT LOCK	1	
F03-5-02	30102-080025810	SCREW M8x25	4	
F03-5-03	6L32-030140	BRACKET ASSY, ECU	1	
F03-5-04	30006-060016810	BOLT M6x16	9	ALT:- 30006-060016870
F03-5-05	30006-060012810	BOLT M6x12	8	ALT:- 30006-060012870
F03-5-06	6L32-030001	LIMIT SUPPORTER, VICE SEAT	1	
F03-5-07	A000-010600	LOCK SEAT, SEAT	1	
F03-5-08	6L3V-030002-4200	T-BOX RH BRACKET	1	
F03-5-09	6L32-030020	BRACKET, POLICE IMPLEMENT BATTERY	1	
F03-5-10	6L3V-030200-4200	REAR FENDER BRACKET ASSY	1	
F03-5-11	6L3V-030050-4200	SOUND AMPLIFIER BRACKET ASSY	1	

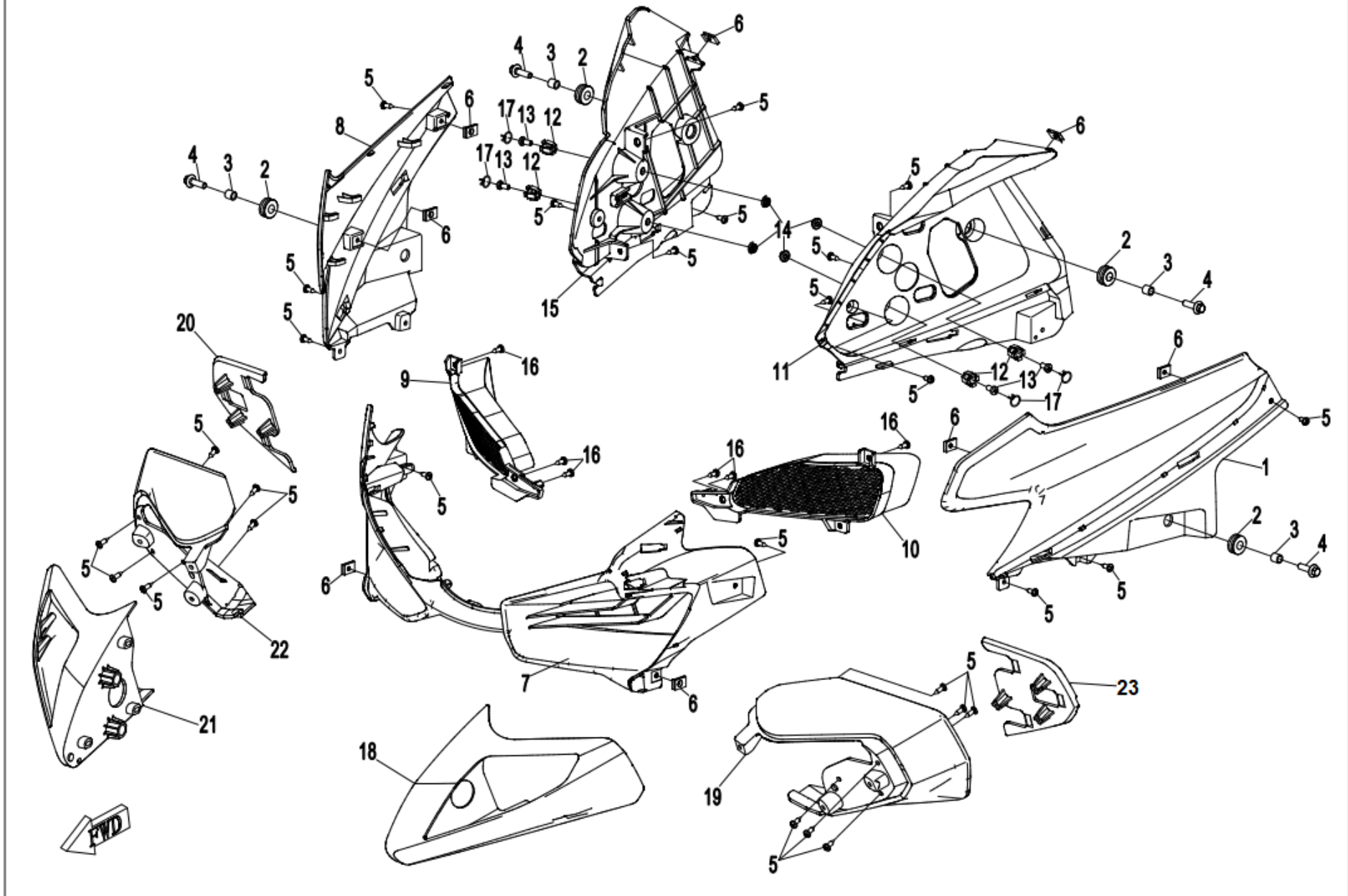
塑料件 1 / PLASTICS 1



NO.	CODE	EN DESCRIPTION	QTY	REMARKS
F04-1-01	6L30-041301-0VS00	FRONT LH DECO GUARD (NEBULA WHITE)	1	
F04-1-01	6L30-041301-0ET00	FRONT LH DECO GUARD (TWILIGHT BLUE)	1	
F04-1-02	6L30-040401-0VS00	FRONT LH GUARD (NEBULA WHITE)	1	
F04-1-02	6L30-040401-0BT00	FRONT LH GUARD (TWILIGHT BLUE)	1	
F04-1-03	6L30-041501	GUARD, FRONT RH DEFLECTOR	1	
F04-1-04	6L30-040402	LH DEFLECTOR GUARD, FAN	1	
F04-1-05	6L30-040502	RH DEFLECTOR GUARD, FAN	1	
F04-1-06	6L30-041302	FRONT LH INNER GUARD	1	
F04-1-07	6L30-041401-0VS00	FRONT RH DECO GUARD (NEBULA WHITE)	1	
F04-1-07	6L30-041401-0ET00	FRONT RH DECO GUARD (TWILIGHT BLUE)	1	
F04-1-08	6L30-041601	GUARD, FRONT LH DEFLECTOR	1	
F04-1-09	6L30-040501-0VS00	FRONT RH GUARD (NEBULA WHITE)	1	
F04-1-09	6L30-040501-0BT00	FRONT RH GUARD (TWILIGHT BLUE)	1	
F04-1-10	8010-000002	TOOL	14	
F04-1-11	30110-421130010	SCREW ST4.2x13	20	
F04-1-12	6L30-050020	SCREW KIT M5x12	2	
F04-1-13	8030-040800-00001	NUT CLIP M6	2	
F04-1-14	30006-060020810	BOLT M6x20	4	ALT:- 30006-060020870
F04-1-15	6090-040302	RUBBER DAMPER	4	
F04-1-16	6090-040303	BUSHING	4	
F04-1-17	A000-060002	SCREW, CHAIN GUARD	2	
F04-1-18	6L30-041402	FRONT RH INNER GUARD	1	

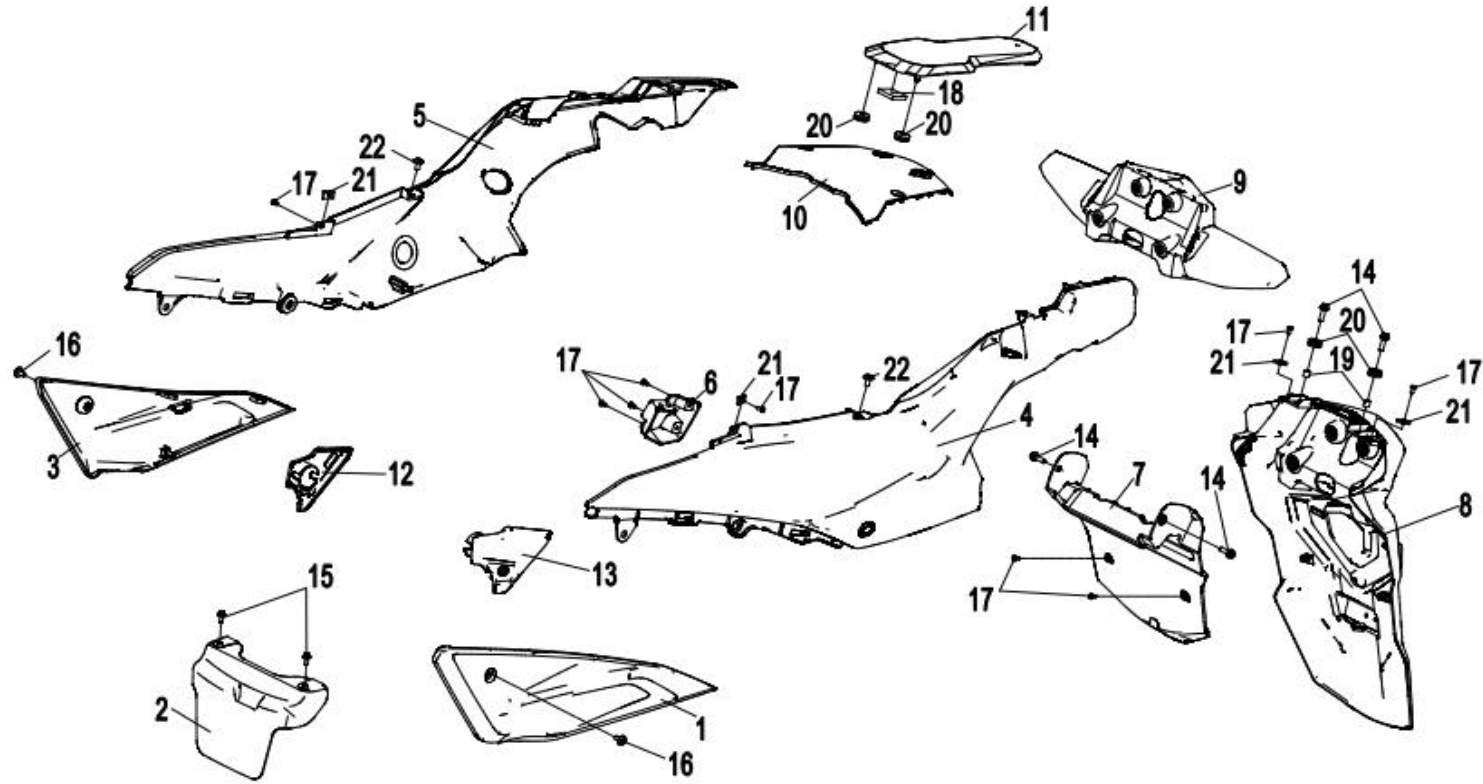


塑料件2 / PLASTICS 2



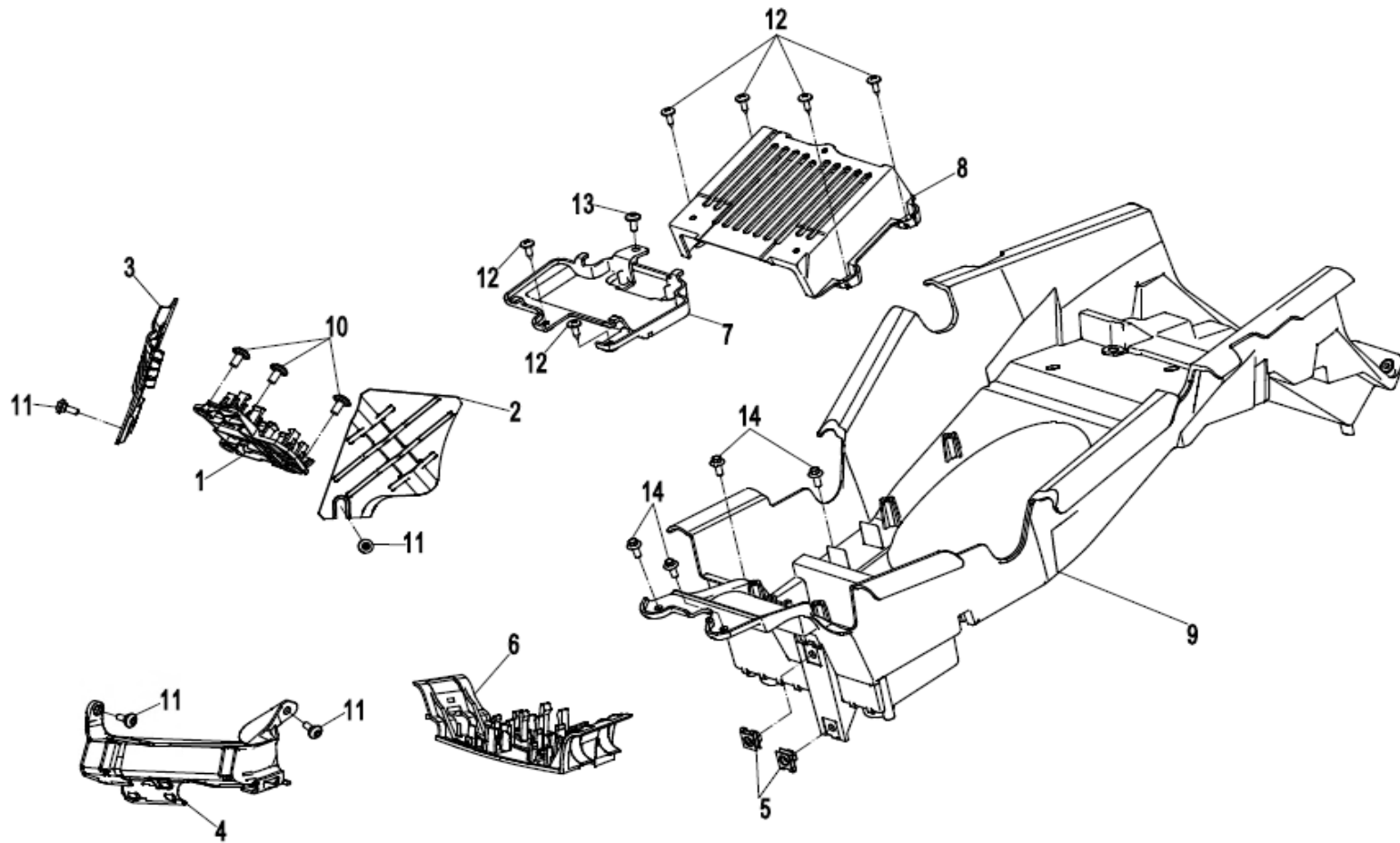
NO.	CODE	EN DESCRIPTION	QTY	REMARKS
F04-2-01	6L30-042701-0VS00	FRONT LH UPPER DECO PLATE (NEBULA WHITE)	1	
F04-2-01	6L30-042701-0BT00	FRONT LH UPPER DECO PLATE (TWILIGHT BLUE)	1	
F04-2-02	6090-040302	RUBBER DAMPER	4	
F04-2-03	6090-040303	BUSHING	4	
F04-2-04	30006-060020810	BOLT M6x20	4	ALT:- 30006-060020870
F04-2-05	30110-421130010	SCREW ST4.2x13	28	
F04-2-06	8010-000002	TOOL ST4.2	8	
F04-2-07	6L32-040101	FRONT DECO PLATE	1	
F04-2-08	6L30-042801-0VS00	FRONT RH UPPER DECO PLATE (NEBULA WHITE)	1	
F04-2-08	6L30-042801-0BT00	FRONT RH UPPER DECO PLATE (TWILIGHT BLUE)	1	
F04-2-09	6L30-040103	RH AIR INTAKE GRID, AIR FILTER	1	
F04-2-10	6L30-040102	LH AIR INTAKE GRID, AIR FILTER	1	
F04-2-11	6L30-040602	LH BACK PLATE, REAR VIEW MIRROR	1	
F04-2-12	A010-041701	CLAMP, SPRING	4	
F04-2-13	30105-060012440	SCREW M6x12	4	ALT:- 30105-060012410
F04-2-14	30200-060810	NUT M6	4	
F04-2-15	6L30-040702	RH BACK PLATE, REAR VIEW MIRROR	1	
F04-2-16	30110-420160010	SCREW ST4.2x16	6	
F04-2-17	6NTG-040102	CLAMP	4	
F04-2-18	6L30-040601-1VS00	LH GUARD, TURN LIGHT (NEBULA WHITE)	1	
F04-2-18	6L30-040601-1ET00	LH GUARD, TURN LIGHT (TWILIGHT BLUE)	1	
F04-2-19	6L30-040604-0VS00	LH GUARD, REAR VIEW MIRROR (NEBULA WHITE)	1	
F04-2-19	6L30-040604-0ET00	LH GUARD, REAR VIEW MIRROR (TWILIGHT BLUE)	1	
F04-2-20	6L30-040703	RH CONNECTING PLATE, REAR VIEW MIRROR	1	
F04-2-21	6L30-040701-1VS00	RH GUARD, TURN LIGHT (NEBULA WHITE)	1	
F04-2-21	6L30-040701-1ET00	RH GUARD, TURN LIGHT (TWILIGHT BLUE)	1	
F04-2-22	6L30-040704-0VS00	RH GUARD, REAR VIEW MIRROR (NEBULA WHITE)	1	
F04-2-22	6L30-040704-0ET00	RH GUARD, REAR VIEW MIRROR (TWILIGHT BLUE)	1	
F04-2-23	6L30-040603	LH CONNECTING PLATE, REAR VIEW MIRROR	1	

塑料件 3 / PLASTICS 3



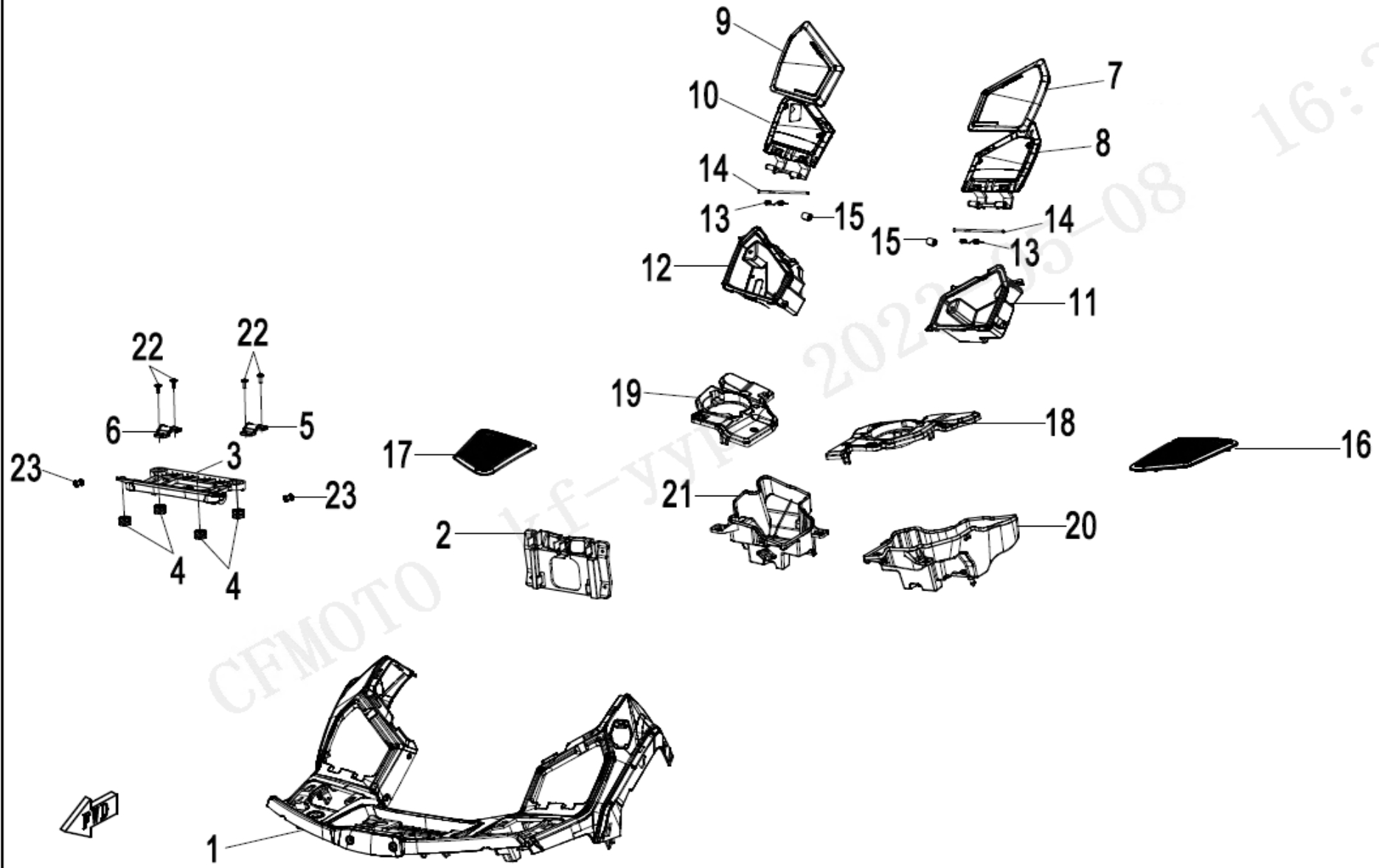
NO.	CODE	EN DESCRIPTION	QTY	REMARKS
F04-3-01	6L30-042101-0BT00	LH PANEL, FRAME	1	
F04-3-02	6L30-043301	LOWER FENDER	1	
F04-3-03	6L30-042201-0BT00	RH PANEL, FRAME	1	
F04-3-04	6L32-042501-0ET00	REAR LH PANEL (TWILIGHT BLUE)	1	
F04-3-04	6L32-042501-0VS00	REAR LH PANEL (NEBULA WHITE)	1	
F04-3-05	6L32-042601-0ET00	REAR RH PANEL (TWILIGHT BLUE)	1	
F04-3-05	6L32-042601-0VS00	REAR RH PANEL (NEBULA WHITE)	1	
F04-3-06	6L30-042503	BRACKET, SEAT LOCK	1	
F04-3-07	6L3V-043103-4200	REAR FENDER REINFORCENMENT PLATE	1	
F04-3-08	6L3V-043101-4200	REAR FENDER	1	
F04-3-09	6L30-043102-10000	DECO PLATE, TAIL LIGHT	1	
F04-3-10	6L32-042401-0VS00	MIDDLE CONNECTING BRACKET, REAR PANEL (NEBULA WHITE)	1	
F04-3-10	6L32-042401-0ET00	MIDDLE BRACKET, REAR PANEL (TWILIGHT BLUE)	1	
F04-3-11	6L32-042402	DECO GUARD, REAR ARMREST	1	
F04-3-12	6L32-044005-10000	PANEL, RH FOOTREST	1	
F04-3-13	6L32-044004	PANEL, LH FOOTREST	1	
F04-3-14	0010-023010-0010	BOLT M6x20	11	
F04-3-15	6NTA-040202	INNER HEX SCREW M5x12	6	
F04-3-16	A010-120003	BOLT M6x16	4	ALT:- 6NQ#-000206-6001
F04-3-17	30110-421130010	SCREW ST4.2x13	10	
F04-3-18	6L30-020005	LOCK NUT	4	
F04-3-19	6090-040303	BUSHING	8	
F04-3-20	6090-040302	RUBBER DAMPER	8	
F04-3-21	8010-000002	TOOL ST4.2	4	
F04-3-22	A000-040702	INNER HEX SCREW M6x12	2	ALT:- 6KM#-040702-8000

塑料件 4 / PLASTICS 4



NO.	CODE	EN DESCRIPTION	QTY	REMARKS
F04-4-01	6L30-044001	BRACKET, FRONT CONNECTOR	1	
F04-4-02	6L30-044002	LH PRESS PLATE, FRAME	1	
F04-4-03	6L30-044003	RH PRESS PLATE, FRAME	1	
F04-4-04	6L30-044011	LOCK PLATE, MAIN CABLE	1	
F04-4-05	8030-040800-00001	NUT CLIP M6	2	
F04-4-06	6L30-043901	BRACKET, REAR CONNECTOR	1	
F04-4-07	6L32-043002	BLOCK, BATTERY	1	
F04-4-08	6L30-043001	ECU GUARD	1	
F04-4-09	6L30-043201-20000	REAR SKID PLATE	1	
F04-4-10	A010-120003	BOLT M6x16	3	ALT:- 6NQ#-000206-6001
F04-4-11	6L30-050020	SCREW KIT M5x12	4	
F04-4-12	30110-421130010	SCREW ST4.2x13	6	
F04-4-13	30006-060012810	BOLT M6x12	1	ALT:- 30006-060012870
F04-4-14	30006-060016810	BOLT M6x16	4	ALT:- 30006-060016870

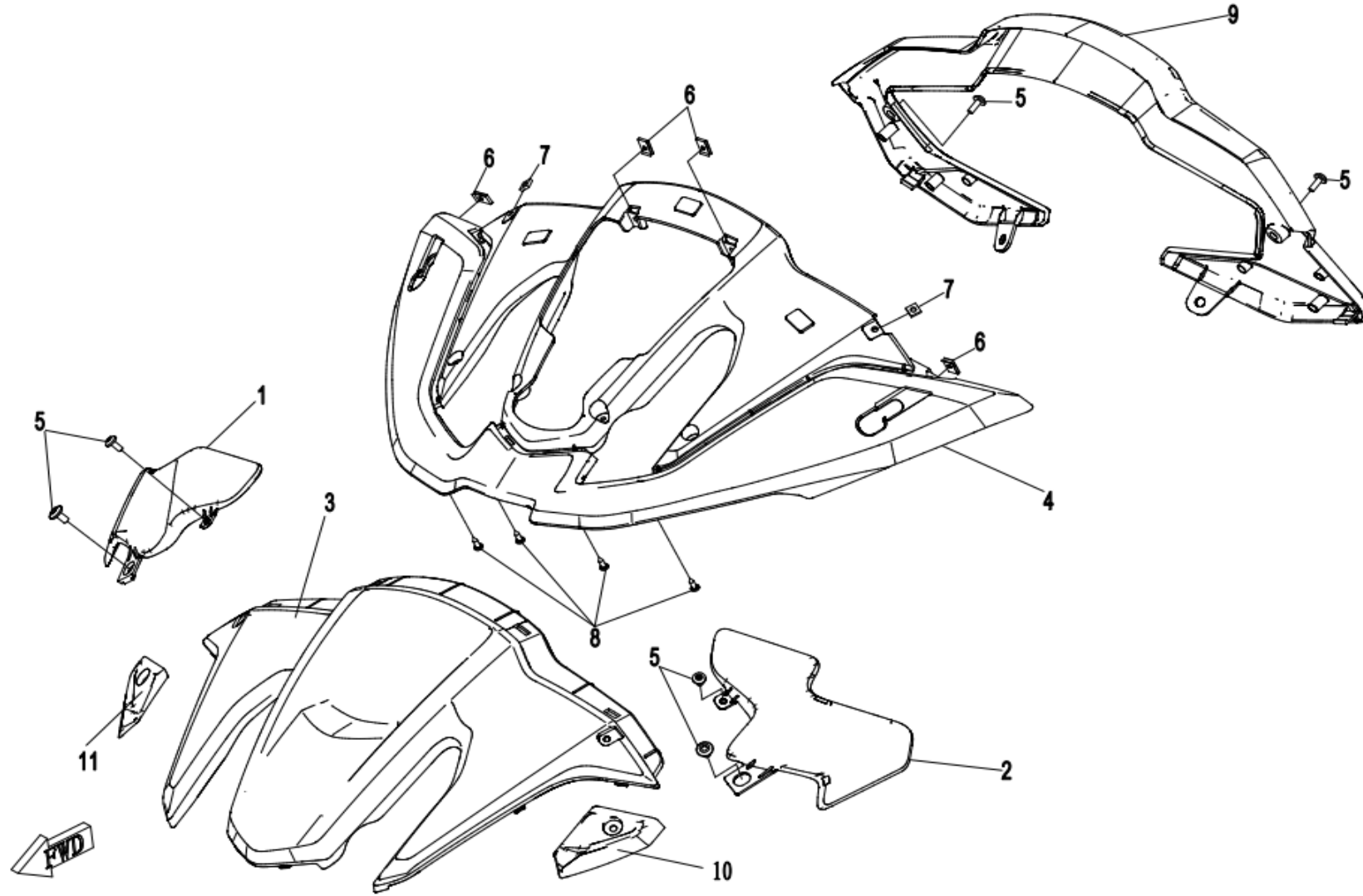
塑料件 V / PLASTICS V



NO.	CODE	EN DESCRIPTION	QTY	REMARKS
F04-5-01	6L3V-040202-4200	DASHBOARD PANEL	1	
F04-5-02	6L3V-043001-4200	BCM BRACKET	1	
F04-5-03	6L3V-040304-4200	DASHBOARD BRACKET	1	
F04-5-04	6L3V-040305-4200	DASHBOARD RUBBER DAMPER	4	
F04-5-05	6L3V-040306-4200	DAMPER LH BRACKET	1	
F04-5-06	6L3V-040307-4200	DAMPER RH BRACKET	1	
F04-5-07	6L3V-041101-4201	LH STORAGE BOX COVER OUTER PLATE	1	
F04-5-08	6L3V-041102-4200	LH TRUNK COVER INNER PLATE	1	
F04-5-09	6L3V-041201-4201	RH STORAGE BOX COVER OUTER PLATE	1	
F04-5-10	6L3V-041202-4200	RH TRUNK COVER OUTER PLATE	1	
F04-5-11	6L3V-041103-4200	LH TRUNK	1	
F04-5-12	6L3V-041203-4200	RH TRUNK	1	
F04-5-13	6L3V-041106-4200	TRUNK SPRING	2	
F04-5-14	6L3V-041108-4200	TRUNK RORATING SHAFT	2	
F04-5-15	6L3V-041111-4200	TRUNK DAMPER	2	
F04-5-16	6L3V-046010-4200	SOUND LH GRID ASSY	1	
F04-5-17	6L3V-046020-4200	SOUND RH GRID ASSY	1	
F04-5-18	6L3V-045001-4201	SOUND LH UPPER HOUSING	1	
F04-5-19	6L3V-045002-4201	SOUND RH UPPER HOUSING	1	
F04-5-20	6L3V-045003-4201	SOUND LH LOWER HOUSING	1	
F04-5-21	6L3V-045004-4201	SOUND RH LOWER HOUSING	1	
F04-5-23	6L3V-040308-4200	DASHBOARD BRACKET DAMPING	2	

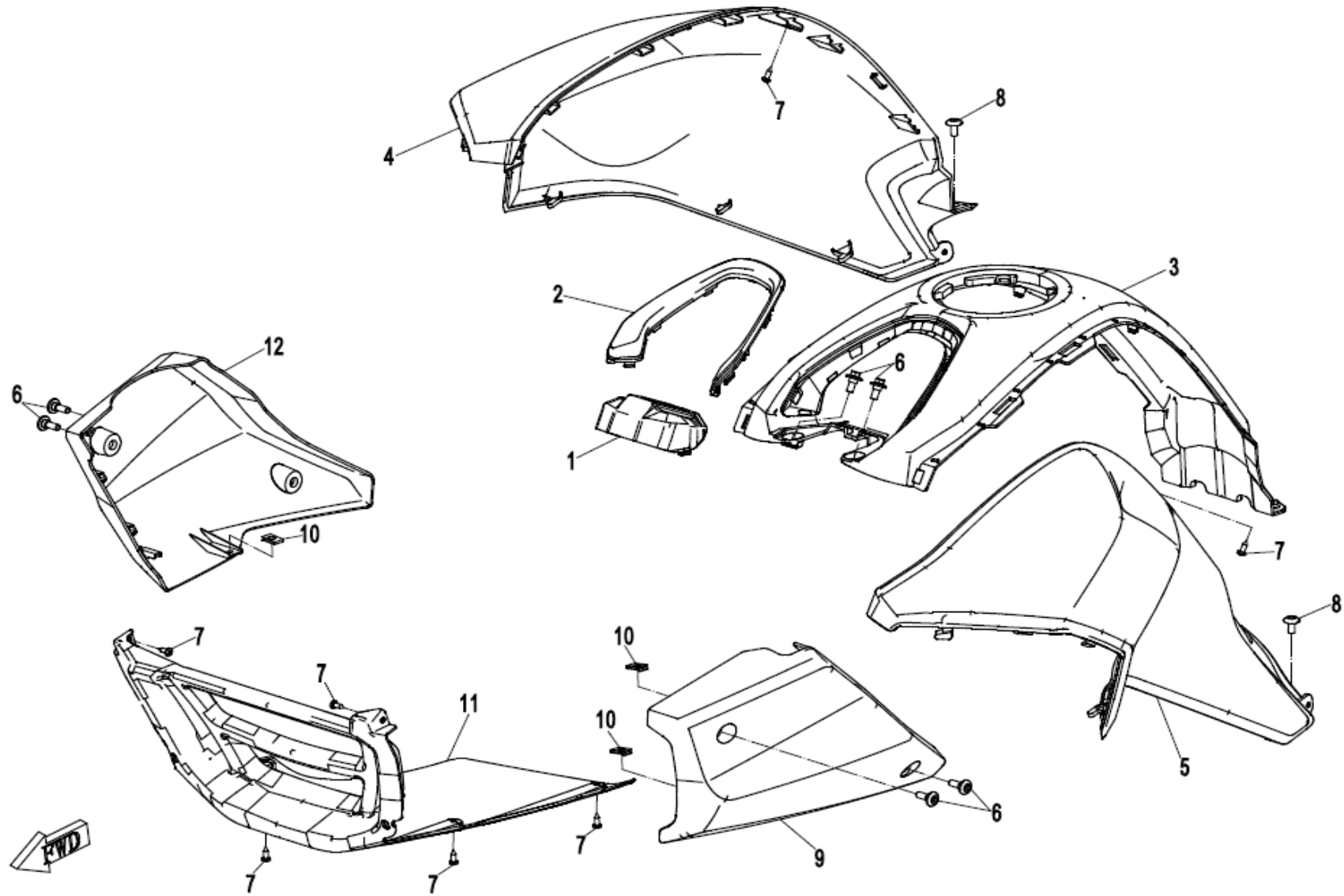


塑料件 6 / PLASTICS 6



NO.	CODE	EN DESCRIPTION	QTY	REMARKS
F04-6-01	6L30-043702-10000	RH VENTILATION PLATE	1	
F04-6-02	6L30-043701-10000	LH VENTILATION PLATE	1	
F04-6-03	6L30-040301-0VS00	DECO PLATE, DASHBOARD UPPER COVER (NEBULA WHITE)	1	
F04-6-03	6L30-040301-0ET00	DECO PLATE, DASHBOARD UPPER COVER (TWILIGHT BLUE)	1	
F04-6-04	6L30-040302-0VS00	DASHBOARD UPPER COVER (NEBULA WHITE)	1	
F04-6-04	6L30-040302-0ET00	UPPER COVER, DASHBOARD (TWILIGHT BLUE)	1	
F04-6-05	6NTA-040202	INNER HEX SCREW M5x12	6	
F04-6-06	8010-000002	TOOL ST4.2	4	
F04-6-07	6KJ0-040402	NUT M5	2	
F04-6-08	30110-421130010	SCREW ST4.2x13	4	
F04-6-09	6L30-040201	DASHBOARD GUARD	1	
F04-6-10	6L32-043502	LH DECO GUARD, POLICE LIGHT	1	
F04-6-11	6L32-043503	RH DECO GUARD, POLICE LIGHT	1	

塑料件 7 / PLASTICS 7

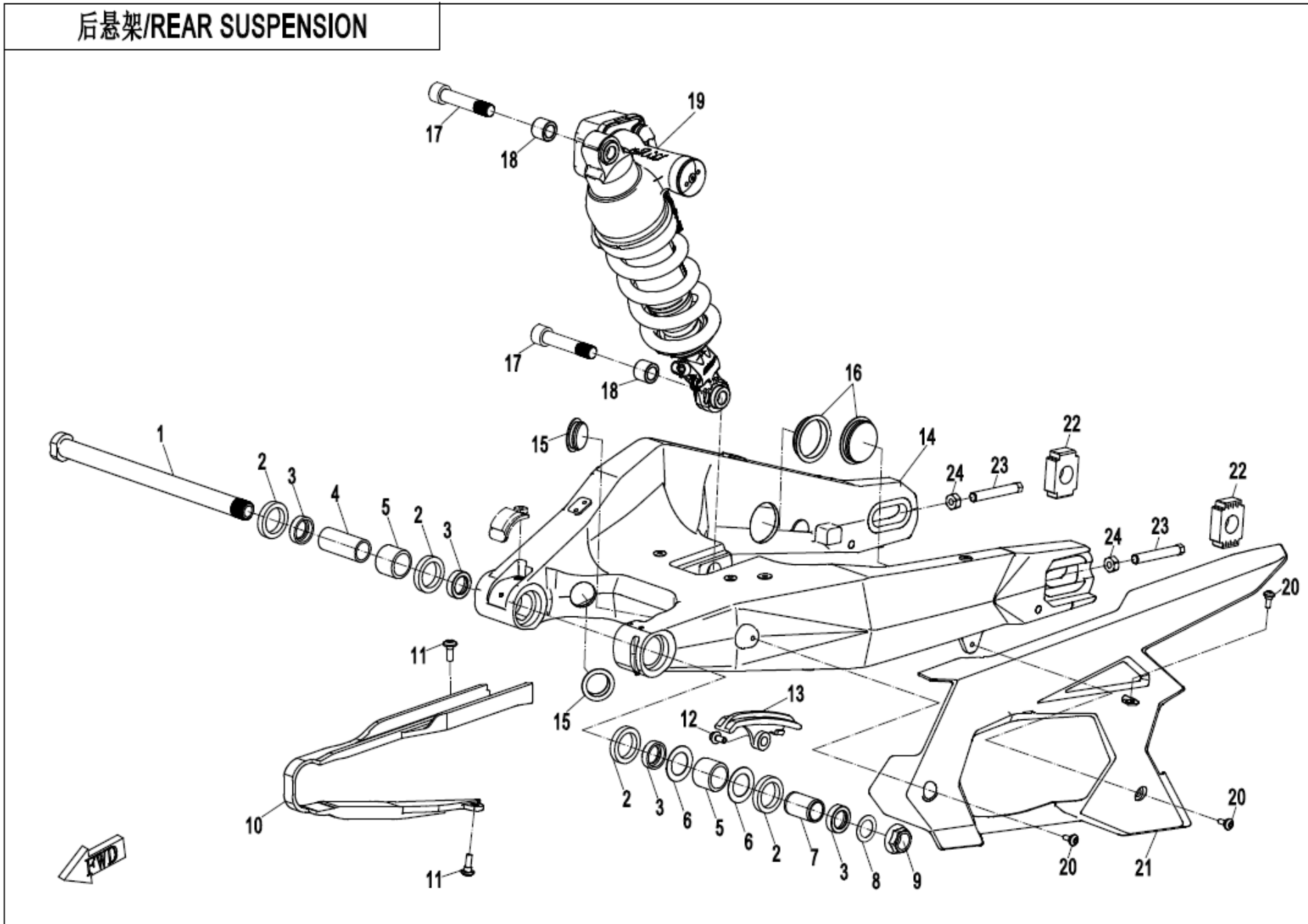


NO.	CODE	EN DESCRIPTION	QTY	REMARKS
F04-7-01	6L32-041003	DECO COVER, POWER LOCK	1	ALT:- 6L32-041003-10000
F04-7-02	6L30-041002-0VR00	DECO STRAP, FUEL TANK UPPER GUARD	1	
F04-7-03	6L30-041001-1BT00	UPPER GUARD, FUEL TANK	1	
F04-7-04	6L30-040901-0VS00	RH DECO GUARD, FUEL TANK (NEBULA WHITE)	1	
F04-7-04	6L30-040901-0ET00	RH DECO GUARD, FUEL TANK (TWILIGHT BLUE)	1	
F04-7-05	6L30-040801-0VS00	LH DECO GUARD, FUEL TANK (NEBULA WHITE)	1	
F04-7-05	6L30-040801-0ET00	LH DECO GUARD, FUEL TANK (TWILIGHT BLUE)	1	
F04-7-06	A000-060002	SCREW, CHAIN GUARD	6	
F04-7-07	30110-421130010	SCREW ST4.2x13	7	
F04-7-08	A000-040702	INNER HEX SCREW M6x12	2	ALT:- 6KM#-040702-8000
F04-7-09	6L30-041701-0BT00	LH PANEL, ENGINE	1	
F04-7-10	8010-000002	TOOL ST4.2	3	
F04-7-11	6L30-041901-0BT00	MIDDLE PANEL, ENGINE	1	
F04-7-12	6L30-041801-0BT00	RH PANEL, ENGINE	1	



NO.	CODE	EN DESCRIPTION	QTY	REMARKS
F05-01	6L30-050002	LOCK SCREW, UPPER TRIPLE CLAMP	1	
F05-02	6L32-050001	UPPER TRIPLE CLAMP	1	
F05-03	A000-050018	INNER HEX SCREW M8x35	6	
F05-04	6L30-080013	LOCK BOLT, REAR CALIPER	1	
F05-05	6L30-050003	DUST-PROOF COVER	1	
F05-06	6L30-050010	DUST-PROOF RING	2	
F05-07	6L30-050200	STEERING BEARING ASSY	2	
F05-08	6L32-1503A0	LOWER TRIPLE CLAMP ASSY	1	
F05-09	6L30-050303	STEERING LIMIT BOLT	2	
F05-10	30200-080810	NUT M8	2	
F05-11	30006-060020810	BOLT M6x20	2	ALT:- 30006-060020870
F05-12	6L30-050100-10000	RESISTANCE ROD ASSY	1	
F05-13	30006-080025810	BOLT M8x25	1	
F05-14	6L30-050004	PLUG, FRONT FORK	1	
F05-15	6L32-050600	FRONT RH SHOCK ABSORBER	1	
F05-16	6L32-050500	FRONT LH SHOCK ABSORBER	1	
F05-17	8010-000002	TOOL ST4.2	3	
F05-18	30110-420130010	SCREW ST4.2x13	3	ALT:- 30110-421130010
F05-19	6L32-050011-0VS00	FRONT FENDER REAR PART (NEBULA WHITE)	1	
F05-19	6L32-050011-0BT00	REAR PART, FRONT FENDER (TWILIGHT BLUE)	1	
F05-20	6L30-050020	SCREW KIT M5x12	6	
F05-21	6L30-050009-0VS00	FRONT FENDER FRONT PART (NEBULA WHITE)	1	
F05-21	6L30-050009-0ET00	FRONT PART, FRONT FENDER (TWILIGHT BLUE)	1	

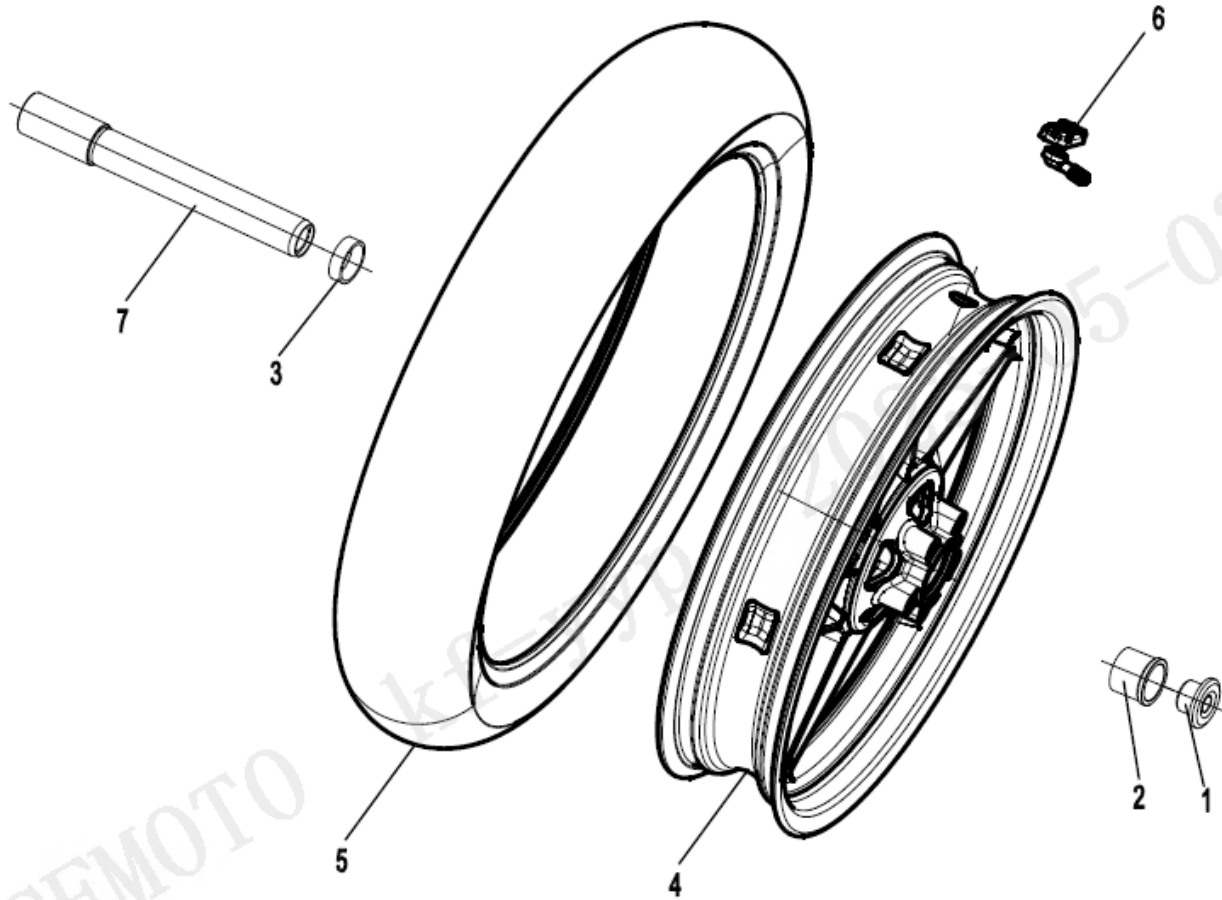
后悬架/REAR SUSPENSION



NO.	CODE	EN DESCRIPTION	QTY	REMARKS
F06-01	6L30-060010	SHAFT, REAR FORK	1	
F06-02	6L30-060030	OIL SEAL, REAR FORK	4	
F06-03	6L30-060007	CAP, REAR FORK LINER	4	
F06-04	6L30-060006	RH LINER, REAR FORK	1	
F06-05	6L30-060020	BEARING, REAR FORK	2	
F06-06	6L30-060004	LIMIT WASHER	2	
F06-07	6L30-060005	LH LINER, REAR FORK	1	
F06-08	6L30-060014	WASHER	1	
F06-09	A000-060004	NUT M20x1.5	1	
F06-10	6L30-060008	DAMPING BLOCK 1, CHAIN	1	
F06-11	A000-060002	SCREW, CHAIN GUARD	2	
F06-12	30006-060016810	BOLT M6x16	1	ALT:- 30006-060016870
F06-13	6L30-060009	DAMPING BLOCK 2, CHAIN	1	
F06-14	6L30-060301-0BP00	REAR FORK	1	
F06-15	6NT1-060003	DUST CAP, SMALL	2	
F06-16	6NT1-060002	DUST CAP, BIG	2	
F06-17	6L30-060001	MOUNTING BOLT, REAR SHOCK ABSORBER	2	
F06-18	6L30-060011	BUSHING, REAR SHOCK ABSORBER	2	
F06-19	6L32-060100	REAR SHOCK ABSORBER	1	
F06-20	6L30-050020	SCREW KIT M5x12	3	
F06-21	6L30-060012	SPROCKET GUARD	1	
F06-22	6L30-060003	CHAIN ADJUSTER	2	
F06-23	6L30-060002	ADJUSTABLE BOLT, CHAIN	2	
F06-24	6L30-060013	LOCK NUT, CHAIN ADJUSTER	2	



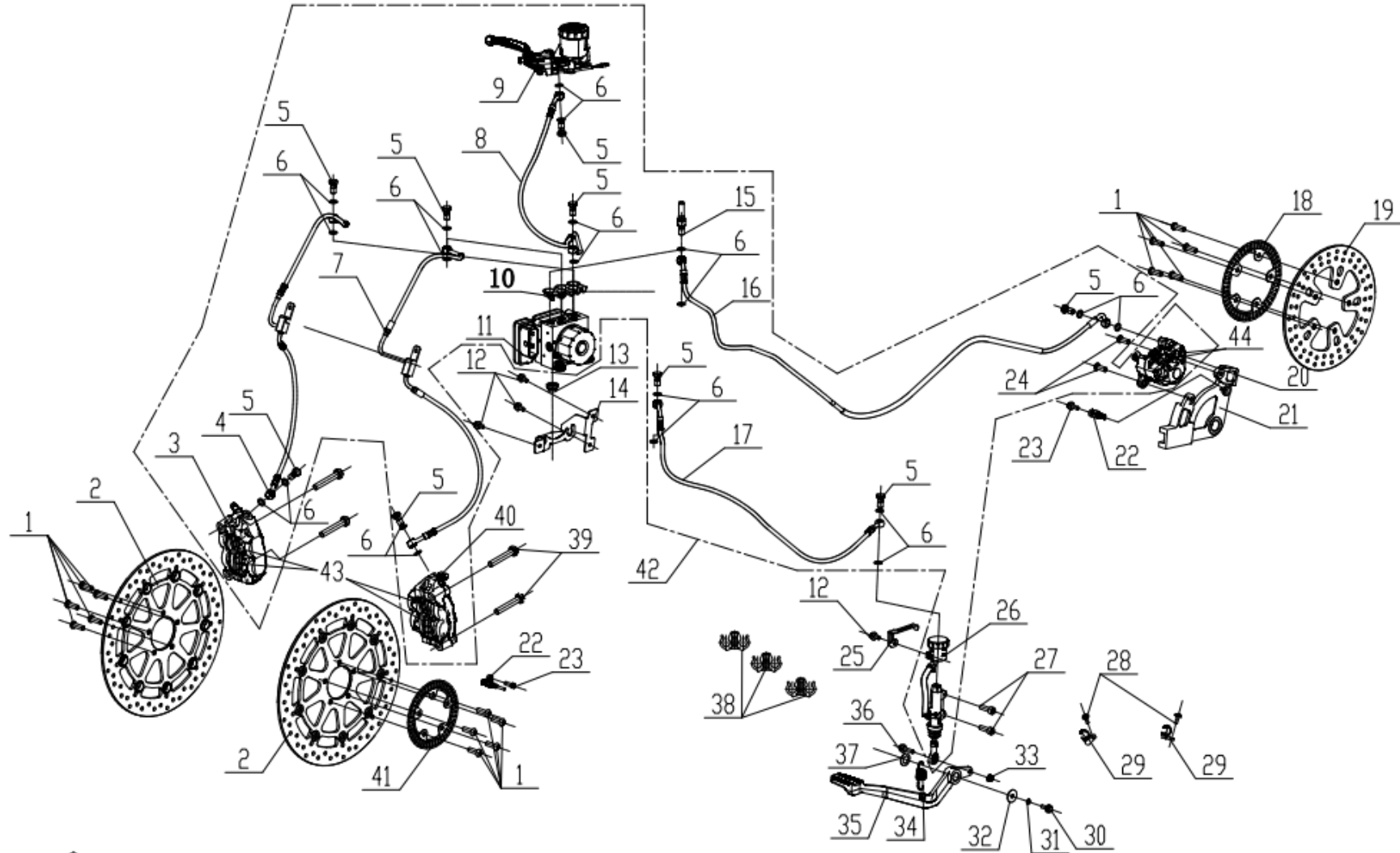
前轮/FRONT WHEEL



CFMOTO 2015-03 08:57

NO.	CODE	EN DESCRIPTION	QTY	REMARKS
F07-01	6L30-070004	LOCK SCREW, FRONT AXLE	1	
F07-02	6L30-070003	SLEEVE, FRONT WHEEL SHAFT	1	
F07-03	6L30-070002	SPACER, FRONT WHEEL SHAFT	1	
F07-04	6L30-070100-0VR00	FRONT RIM ASSY	1	
F07-05	3070SH-175900	FRONT TIRE 120/70ZR17	1	
F07-06	6L30-150850-10000	TIRE PRESSURE SENSOR	1	
F07-07	6L30-070001	FRONT WHEEL SHAFT	1	

制动系统 / BRAKE SYSTEM

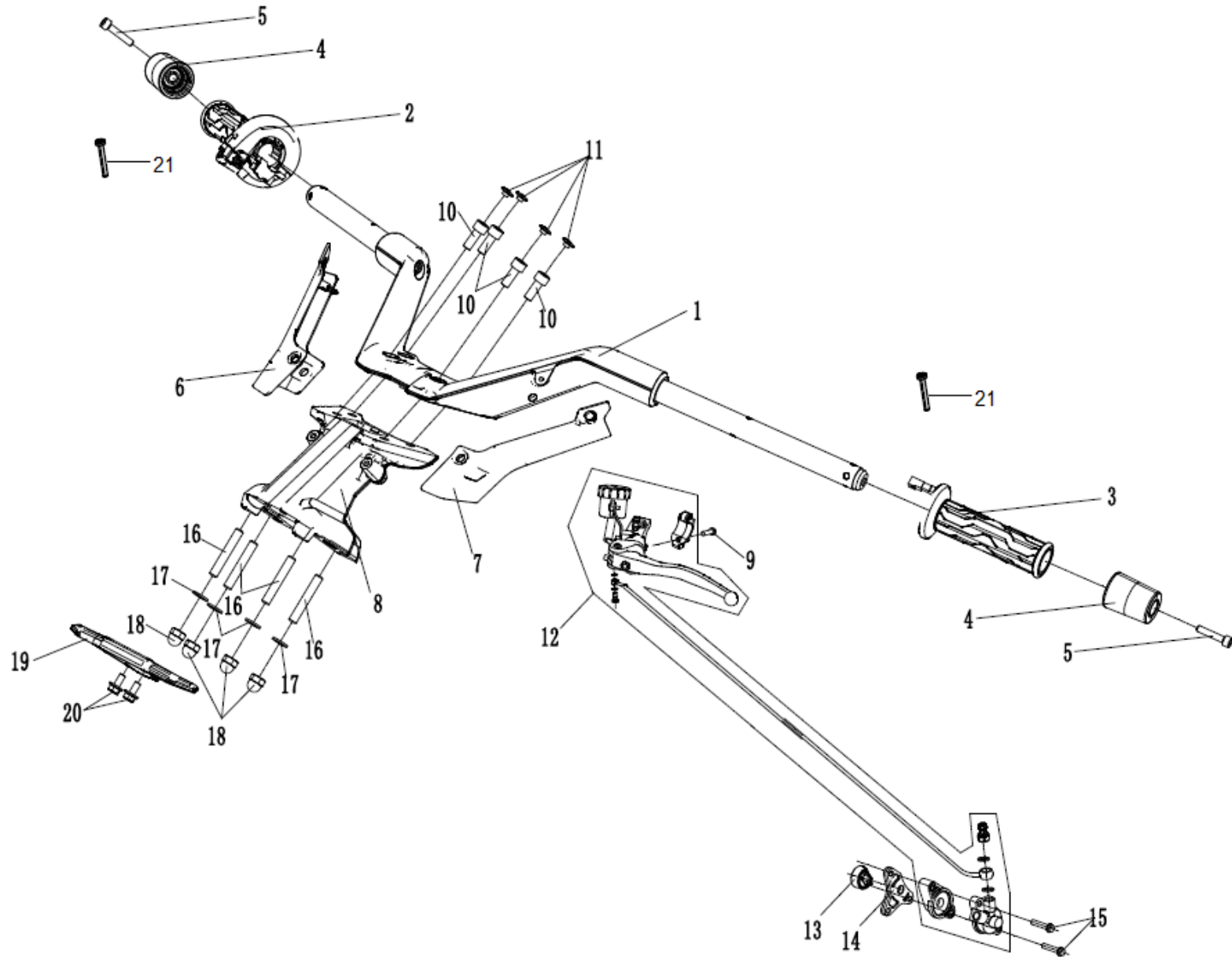


NO.	CODE	EN DESCRIPTION	QTY	REMARKS
F08-01	6GUV-080001-7000	SCREW	15	ALT:- C90709062000
F08-02	6L32-080010	FRONT BRAKE DISC ASSY	2	
F08-03	6L30-081300	FRONT BRAKE CALIPER, RH	1	
F08-04	6L30-081050	FRONT RH BRAKE FLUID INLET PIPE	1	
F08-05	A000-080101-2000	BANJO BOLT	10	
F08-06	A000-080102-2000	WASHER	20	
F08-07	6L30-081020	FRONT LH BRAKE FLUID INLET PIPE	1	
F08-08	6L32-081010	FRONT BRAKE FLUID OUTLET HOSE	1	
F08-09	6L30-081100	MASTER CYLINDER. HAND BRAKE	1	
F08-10	6L30-080009	LIMIT BRACKET, MSC CONTROLLER HOSE	1	
F08-11	6L30-081400	MSC CONTROLLER	1	
F08-12	30006-060012810	BOLT M6x12	6	ALT:- 30006-060012870
F08-13	6L30-080008	DAMPING RUBBER SLEEVE, MSC CONTROLLER	1	
F08-14	6L30-080007	BRACKET, MSC CONTROLLER	1	
F08-15	6NQ#-081070-6000-M1	REAR BRAKE LIGHT SWITCH	1	
F08-16	6L30-081040	REAR BRAKE FLUID INLET PIPE	1	
F08-17	6L30-081030	REAR BRAKE FLUID OUTLET PIPE	1	
F08-18	6L30-080004	GEAR RING, REAR WHEEL	1	
F08-19	6L3V-080002-4200	REAR BRAKE DISC	1	
F08-20	6L30-081600	REAR BRAKE CALIPER	1	
F08-21	6L30-081201-10000	REAR BRAKE BRACKET	1	
F08-22	6L30-080020	SPEED SENSOR, FRONT WHEEL	2	
F08-23	0010-023010-0010	BOLT M6x20	2	
F08-25	6L30-080011	BRACKET, RESERVOIR CAP	1	
F08-26	6L30-081500	MASTER CYLINDER ASSY., FOOT BRAKE	1	
F08-27	30102-060022810	SCREW M6x22	2	
F08-28	A000-040202	INNER HEX SCREW M5x14	4	
F08-29	6L30-080005	WIRE CLIP 1, BRAKE FLUID HOSE	2	
F08-30	30006-060016810	BOLT M6x16	1	ALT:- 30006-060016870
F08-31	30303-060112	WASHER M6	1	

NO.	CODE	EN DESCRIPTION	QTY	REMARKS
F08-32	A000-080006-10000	WASHER 1	1	
F08-33	30204-060810	NUT M6	1	
F08-34	6WWV-080005-5000	RETURN SPRING	1	
F08-35	6L32-082001-0VR00	REAR BRAKE PEDAL	1	
F08-36	30006-060030810	BOLT M6x30	1	
F08-37	A000-080007-10000	WASHER 2	1	
F08-38	6L30-080006	WIRE CLIP 2, BRAKE FLUID HOSE	3	
F08-39	6L30-080012	LOCK BOLT, CALIPER	4	
F08-40	6L30-081200	FRONT BRAKE CALIPER, LH	4	
F08-41	6L30-080003	GEAR RING, FRONT WHEEL	1	
F08-42	6L32-081000	MSC HYDRAULIC BRAKE ASSY	1	
F08-43	6L30-081210	FRONT BRAKE PAD	4	
F08-44	6L30-081610	REAR BRAKE PAD	2	
F08-45	6L30-081101	BRACKET, HAND BRAKE RESERVOIR	1	

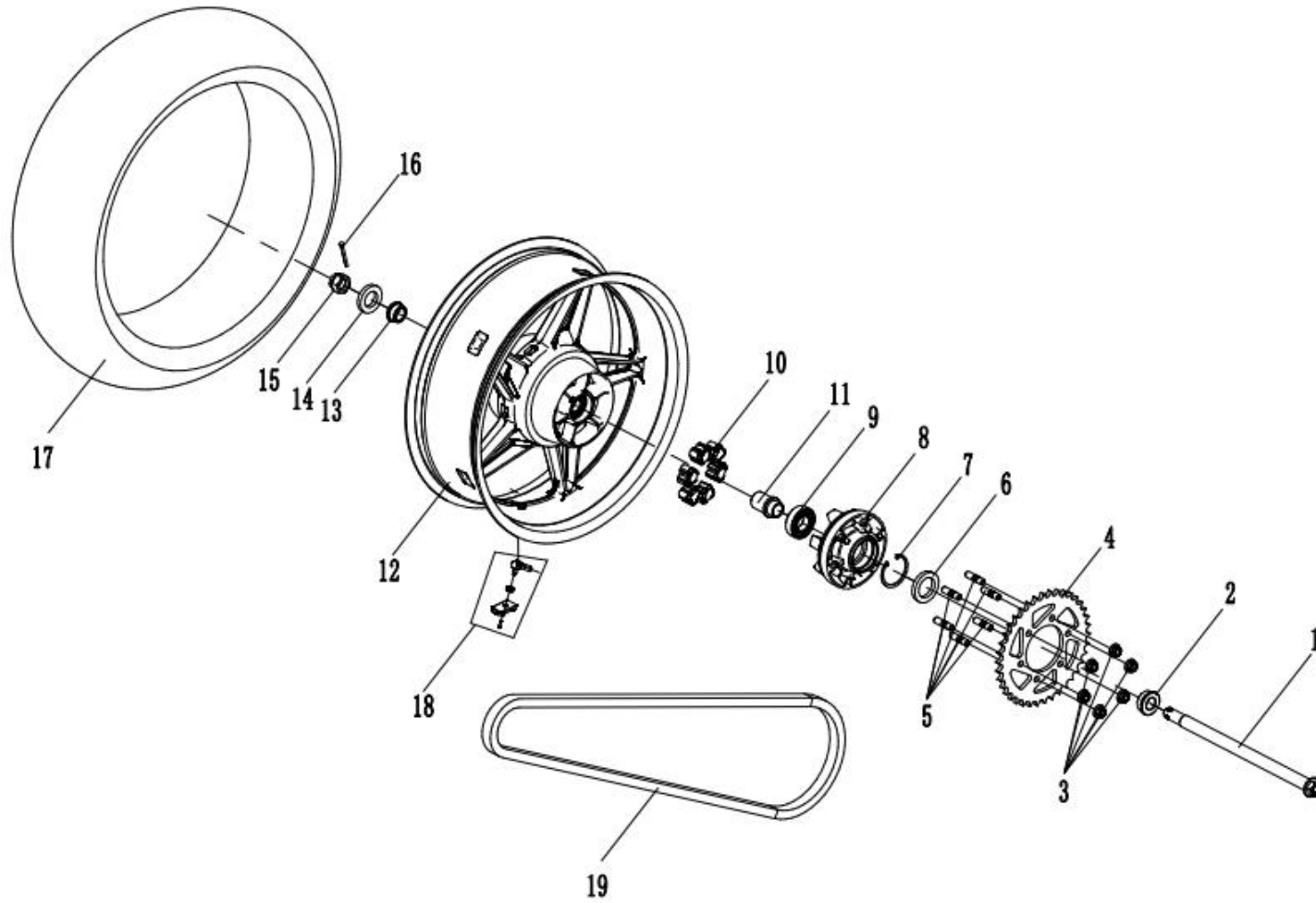
F10 STEERING SYSTEM

F10操纵、转向机构总成/STEERING SYSTEM



NO.	CODE	EN DESCRIPTION	QTY	REMARKS
F10-01	6L3V-100100-4200	HANDLEBAR SWITCH	1	
F10-02	6L30-100020-10000	ELECTRICAL THROTTLE ASSY	1	ALT:- 6L3V-100020-1000-M1
F10-03	6L30-100010-10000	LH GRIP ASSY	1	ALT:- 6L3V-100010-1000-M1
F10-04	A000-1003A0	BALANCER	2	
F10-05	A000-050018	INNER HEX SCREW M8x35	2	
F10-06	6L32-100005	RH LOCK PLATE, HANDLENAR CABLE	1	
F10-07	6L32-100004	LH LOCK PLATE, HANDLENAR CABLE	1	
F10-08	6L32-100007	SEAT, HANDLEBAR	1	
F10-09	30102-060012810	SCREW M6x12	1	
F10-10	30102-080025810	SCREW M8x25	4	
F10-11	6L32-100006	DECO COVER, HANDLEBAR SCREW	4	
F10-12	6L30-101000	HYDRAULIC CLUTCH ASSY	1	
F10-13	6L30-101002	LIMIT BLOCK, CLUTCH ROD	1	
F10-14	6L30-101001	BRACKET, HYDRAULIC CLUTTH	1	
F10-15	0010-013010-0010	BOLT M6x50	2	
F10-16	6L32-100008	STUD, HANDLEBAR SEAT	4	
F10-17	30306-080112	WASHER M8	4	
F10-18	30206-080510	NUT M8	4	
F10-19	6L32-100003-0BP00	WIRECLIP	1	
F10-20	30006-060012810	BOLT M6x12	2	ALT:- 30006-060012870
F10-21	30105-040030410	SCREW M4x30	2	

后轮总成/REAR WHEEL ASSY



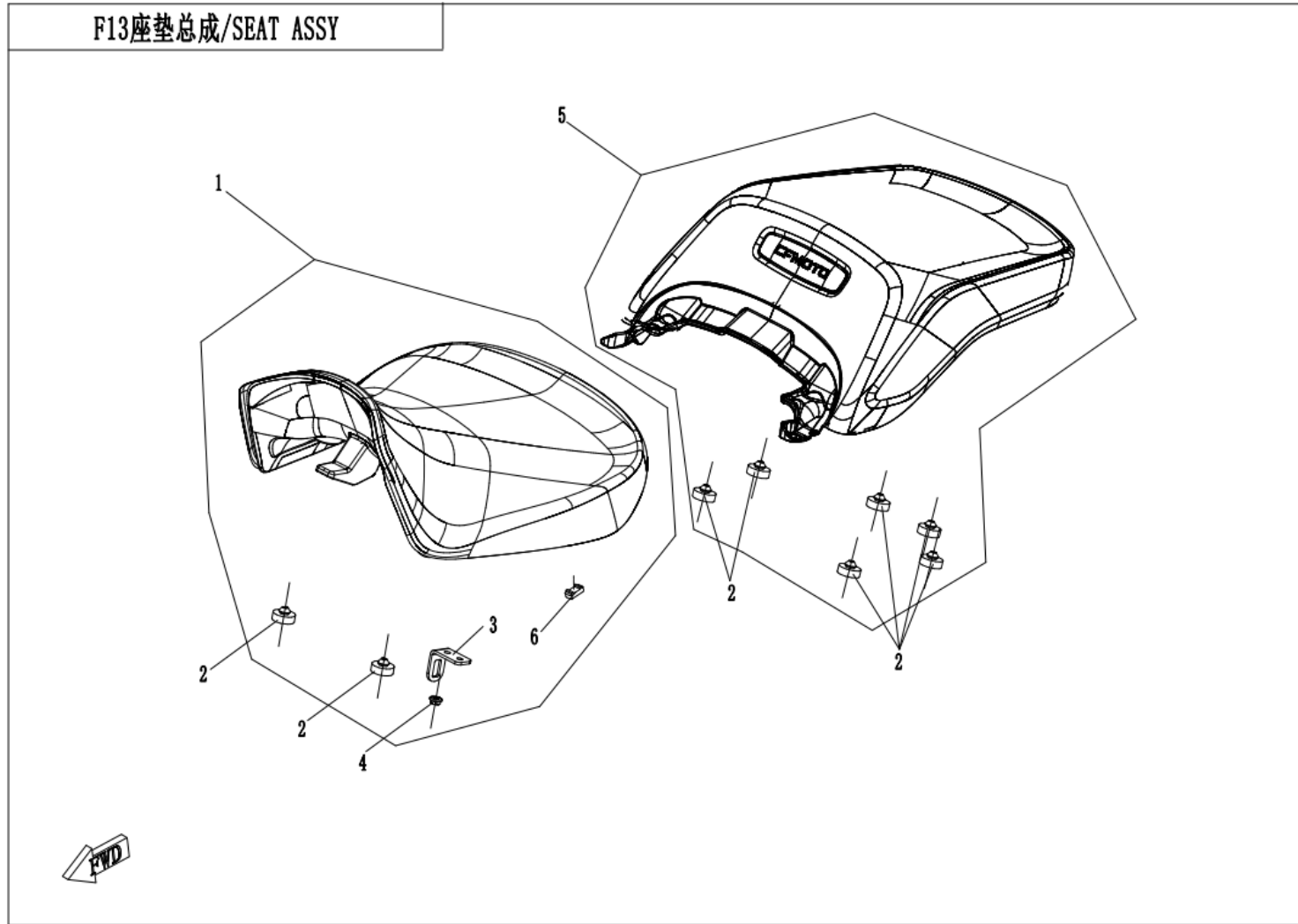


NO.	CODE	EN DESCRIPTION	QTY	REMARKS
F11-01	6L30-110001	REAR WHEEL SHAFT	1	
F11-02	A000-110002	LH SHAFT SLEEVE, REAR WHEEL	1	
F11-03	30204-102810	NUT M10x1.25	6	
F11-04	6L32-110007	REAR SPROCKET	1	
F11-05	6L30-110008	BOLT, REAR SPROCKET	6	
F11-06	30501-035800N	OIL SEAL 35x52x8	1	
F11-07	30800-05205	CIRCLIP FOR HOLE 52	1	
F11-08	6L30-110005-1BP00	SPROCKET SEAT	1	
F11-09	30499-02502	BEARING 6205	1	
F11-10	6L30-110003	DAMPER, SPROCKET	6	
F11-11	6L30-110004	COLLAR, SPROCKET SEAT	1	
F11-12	6L30-110100-0VR00	REAR RIM ASSY	1	
F11-13	6NT1-110003	WASHER, REAR WHEEL AXLE	1	
F11-14	A000-110009	WASHER 18, REAR WHEEL AXLE	1	
F11-15	A000-110011	NUT, REAR WHEEL	1	
F11-16	30903-0403610	COTTER PIN 40x36	1	
F11-17	3070SH-176000	REAR TIRE 190/55ZR17	1	
F11-18	6L30-150850-10000	TIRE PRESSURE SENSOR	1	
F11-19	3120925	CHAIN	1	



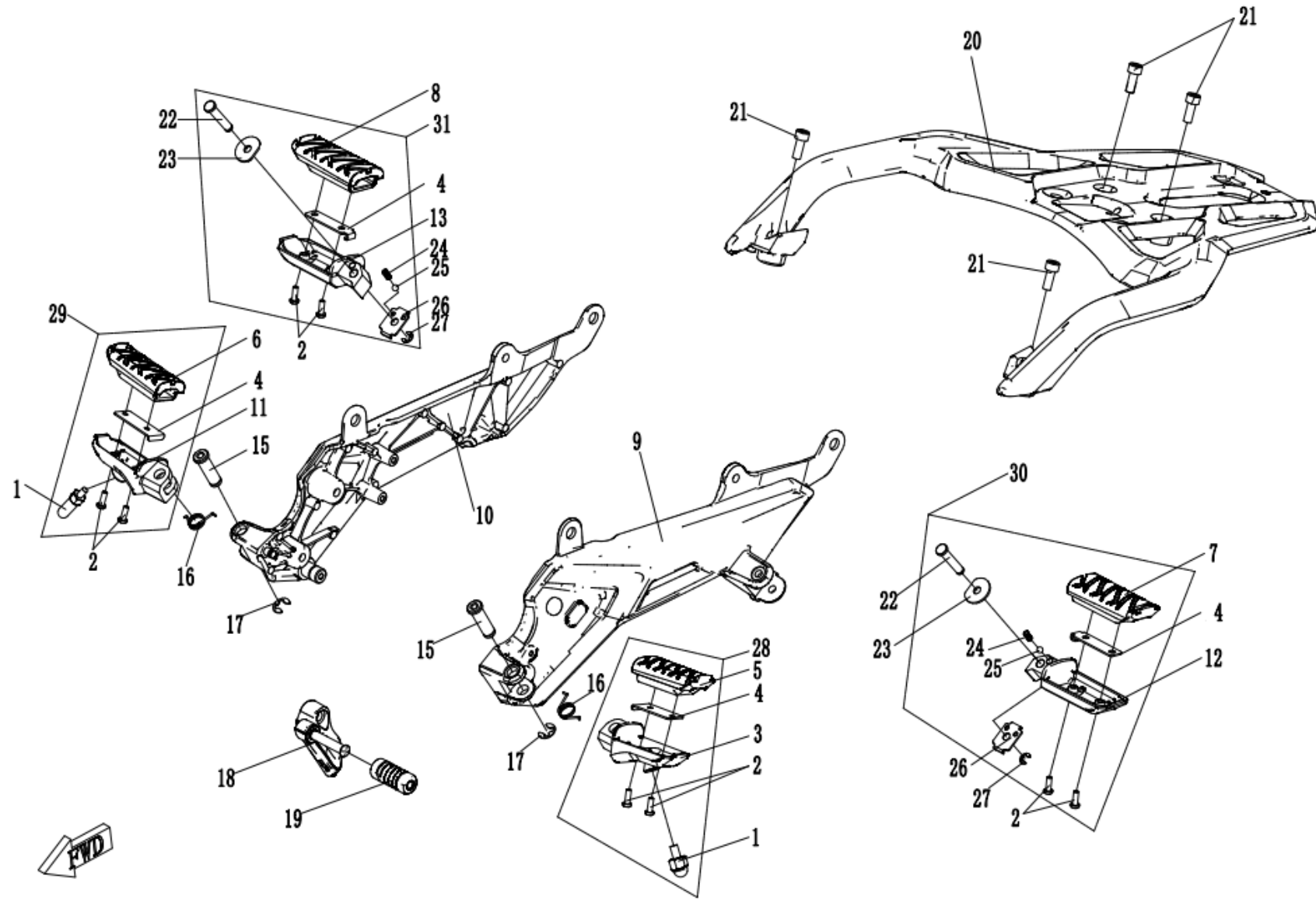
NO.	CODE	EN DESCRIPTION	QTY	REMARKS
F12-01	A000-040702	INNER HEX SCREW M6x12	2	ALT:- 6KM#-040702-8000
F12-02	6L3V-170200-4200-M1	FUEL LEVEL SENSOR	1	
F12-03	6L30-120001	SIDE RUBBER SLEEVE, FUEL TANK	2	
F12-04	6L32-120100	FUEL TANK ASSY	1	
F12-05	30006-060025810	BOLT M6x25	2	
F12-06	6L30-120030	BRACKET, PANEL	1	
F12-07	5020-031002	RUBBER SLEEVE LINER, FRONT LICENSE BRACKET	4	
F12-08	5020-031001	RUBBER SLEEVE, FRONT LICENSE BRACKET	4	
F12-09	6KWV-150900-1000	FUEL PUMP	1	
F12-10	30006-060016810	BOLT M6x16	4	ALT:- 30006-060016870
F12-11	6090-120210	QUICK JOINT	1	
F12-12	6L30-120010	HIGH PRESSURE FUEL HOSE ASSY	1	
F12-13	6070-120400	CLAMP (Φ14.5)	2	
F12-14	6KJ0-120330-10000	QUICK JOINT	1	
F12-15	6NQ0-120001	FUEL PIPE, FUEL TANK	1	
F12-16	6L3J-250060-3000	HEAT INSULATOR, FUEL TANK	1	
F12-17	30202-060110	NUT M6	4	ALT:- 30204-060810

F13 SEAT



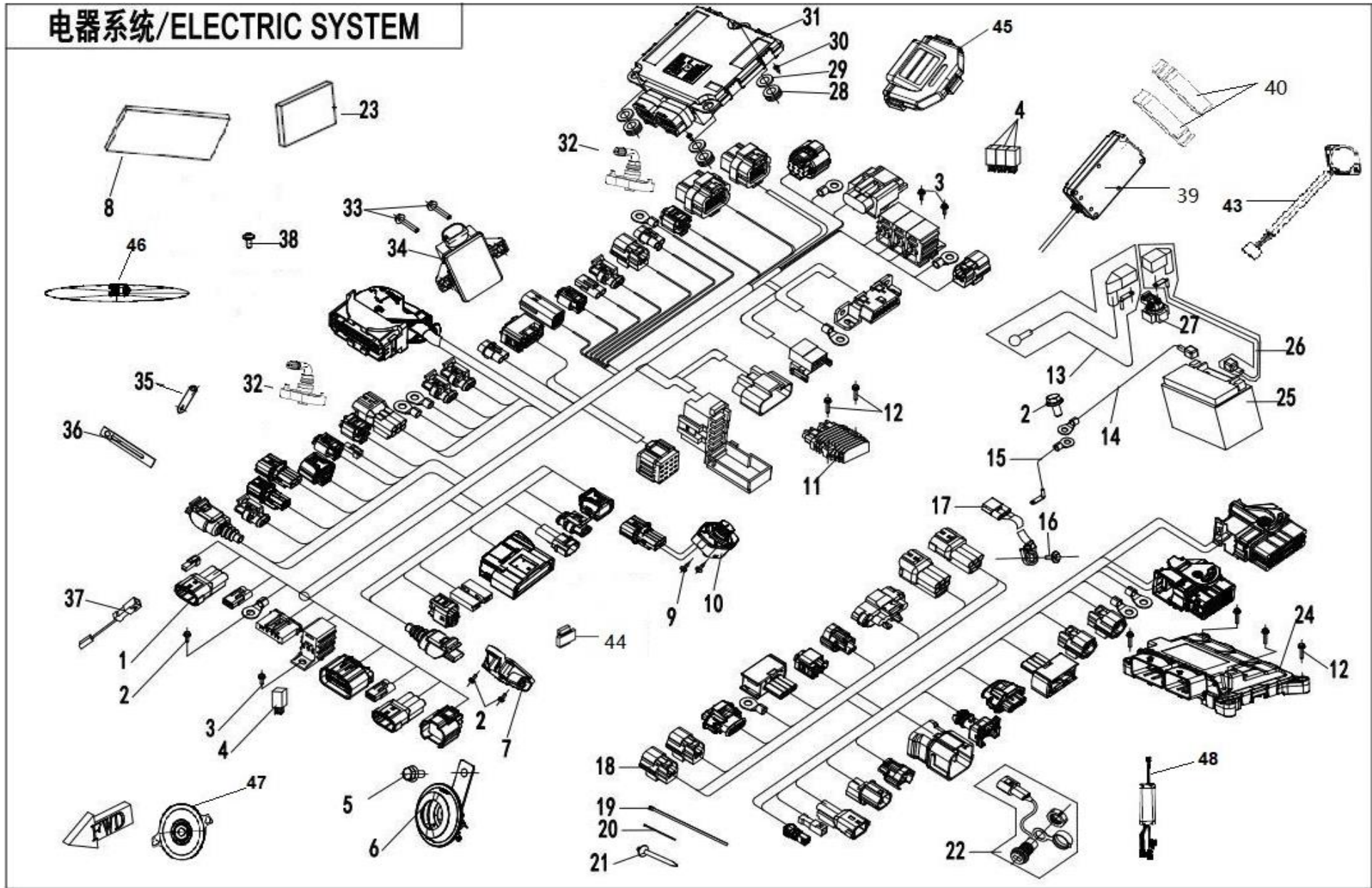
NO.	CODE	EN DESCRIPTION	QTY	REMARKS
F13-01	6L3V-130100-4200	FRONT HEATED SEAT ASSY	1	
F13-02	6KM0-130205	RUBBER	8	
F13-03	6L32-130100-4000-23	SEAT LOCK HOOK	1	
F13-04	30202-060110	NUT M6	1	ALT:- 30204-060810
F13-05	6L3V-130200-4200	REAR HEATED SEAT ASSY	1	
F13-06	6FI3-130105	RUBBER DAMPER 3	1	

脚蹬总成/FOOTREST



NO.	CODE	EN DESCRIPTION	QTY	REMARKS
F14-01	A000-140122-00001	LIMIT BOLT	2	
F14-02	6NTA-040202	INNER HEX SCREW M5x12	8	
F14-03	6L32-140131-0VR00	LH FRONT FOOTREST SEAT	1	
F14-04	6NTG-140160-10000	CONNECTING PLATE, FOOTREST	4	
F14-05	6L32-140121-10000	RUBBER, FRONT LH FOOTREST	1	
F14-06	6L32-140122-10000	RUBBER, FRONT RH FOOTREST	1	
F14-07	6L32-140123-10000	RUBBER, REAR LH FOOTREST	1	
F14-08	6L32-140124-10000	RUBBER, REAR RH FOOTREST	1	
F14-09	6L32-140111-0VR00	BRACKET, LH FOOTREST (MERCURY SILVER)	1	
F14-10	6L32-140120-0VR00	BRACKET, RH FOOTREST (MERCURY SILVER)	1	
F14-11	6L32-140132-0VR00	RH FRONT FOOTREST SEAT	1	
F14-12	A010-140141-1VR00	LH REAR FOOTREST SEAT (MERCURY SILVER)	1	
F14-13	A010-140151-1VR00	RH REAR FOOTREST SEAT (MERCURY SILVER)	1	
F14-15	A000-140141	PIN SHAFT Dia 12	2	
F14-16	6L3V-140103-4200	SPRING	2	
F14-17	30802-00903	SPLIT WASHER 9	2	
F14-18	6L32-140001-0VR00	GEARSHIFT LEVER	1	
F14-19	6L32-140004-10000	RUBBER SLEEVE, GEARSHIFT LEVER	1	
F14-20	6L32-140002-0VR00	REAR ARMREST	1	
F14-21	30102-080025810	SCREW M8x25	4	
F14-22	A000-140142	PIN SHAFT Dia 8	2	
F14-23	A000-140106	LOCATING GASKET 2	2	
F14-24	5190-037813	SPRING	2	
F14-25	5190-037814	STEEL BALL	2	
F14-26	A000-140104	LOCATING GASKET 1	2	
F14-27	30802-00603	CIRCLIP 6	2	ALT:- 30802-00605
F14-28	6L32-1401A0	LH FRONT FOOTREST ASSY	1	
F14-29	6L32-1401B0	RH FRONT FOOTREST ASSY	1	
F14-30	6L32-1401C0	LH REAR FOOTREST ASSY	1	
F14-31	6L32-1401D0	RH REAR FOOTREST ASSY	1	

电器系统/ELECTRIC SYSTEM

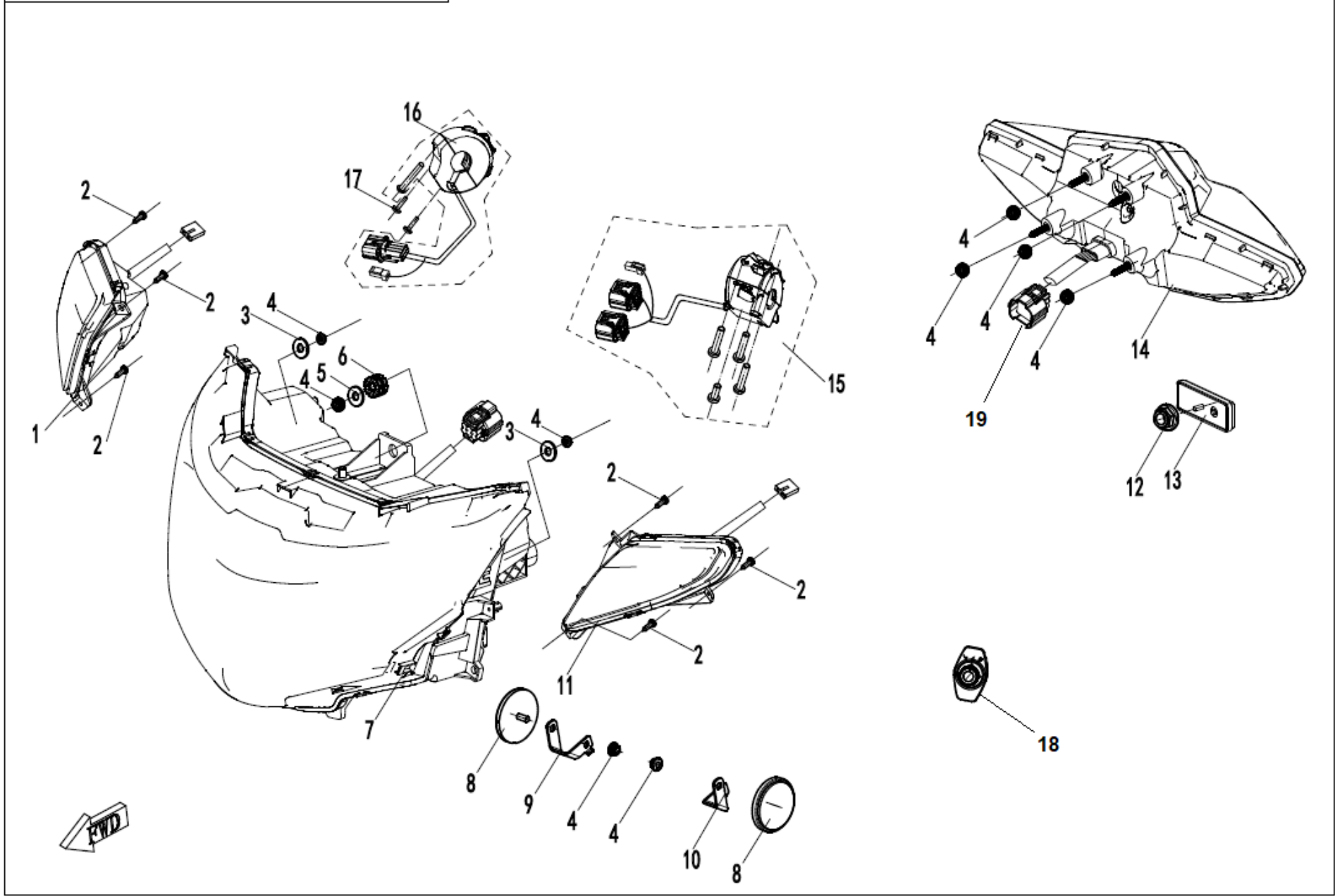


NO.	CODE	EN DESCRIPTION	QTY	REMARKS
F15-01	6L3V-150100-4200	MAIN CABLE	1	
F15-02	30006-060012810	BOLT M6x12	6	ALT:- 30006-060012870
F15-03	6L30-050020	SCREW KIT M5x12	3	
F15-04	A000-150800	AUXILIARY RELAY	4	
F15-05	30006-080014810	BOLT M8x14	1	
F15-06	6NT1-150600	HORN	1	
F15-07	6L30-080040	6D SENSOR	1	
F15-08	5270-150002	FOAM (FR &RR), BATTERY	2	
F15-09	30110-421130010	SCREW ST4.2x13	2	
F15-10	6L32-200500	CONTROL SWITCH, REAR VIEW MIRROR	1	
F15-11	9DSV-151000-4000	REGULATOR	1	
F15-12	30006-060030810	BOLT M6x30	6	
F15-13	6L32-150200	POSITIVE CABLE, STARTER MOTOR	1	
F15-14	6L30-150310	NEGATIVE WIRE, BATTERY	1	
F15-15	6L32-150320	NEGATIVE CABLE, STARTER MOTOR	1	
F15-16	8010-090005	BOLT M6x16	1	
F15-17	6KMV-151200-8501	SIDE STAND SWITCH	1	
F15-18	6L3V-150500-4200	ENGINE CABLE	1	
F15-19	8010-150003	TIE	30	
F15-20	6L30-150003	TIE	13	
F15-21	801F-100101	TIE BAND	1	
F15-22	FA8V-150600-1001	USB OUTLET SOCKET	1	
F15-23	5270-150001	FOAM (LH&RH), BATTERY	2	
F15-24	1F30-174000	ECU	1	
F15-25-B	96100V030000	BATTERY	1	REFER SAP FOR DETAILS
F15-25-F	6L32-151600	BATTERY	1	REFER SAP FOR DETAILS
F15-26	6L32-150700	POSITIVE CABLE, STARTER RELAY	1	
F15-27	9010-150310-10001	STARTER RELAY	1	
F15-28	6090-040302	RUBBER DAMPER	2	
F15-29	30306-050112	WASHER M5	3	



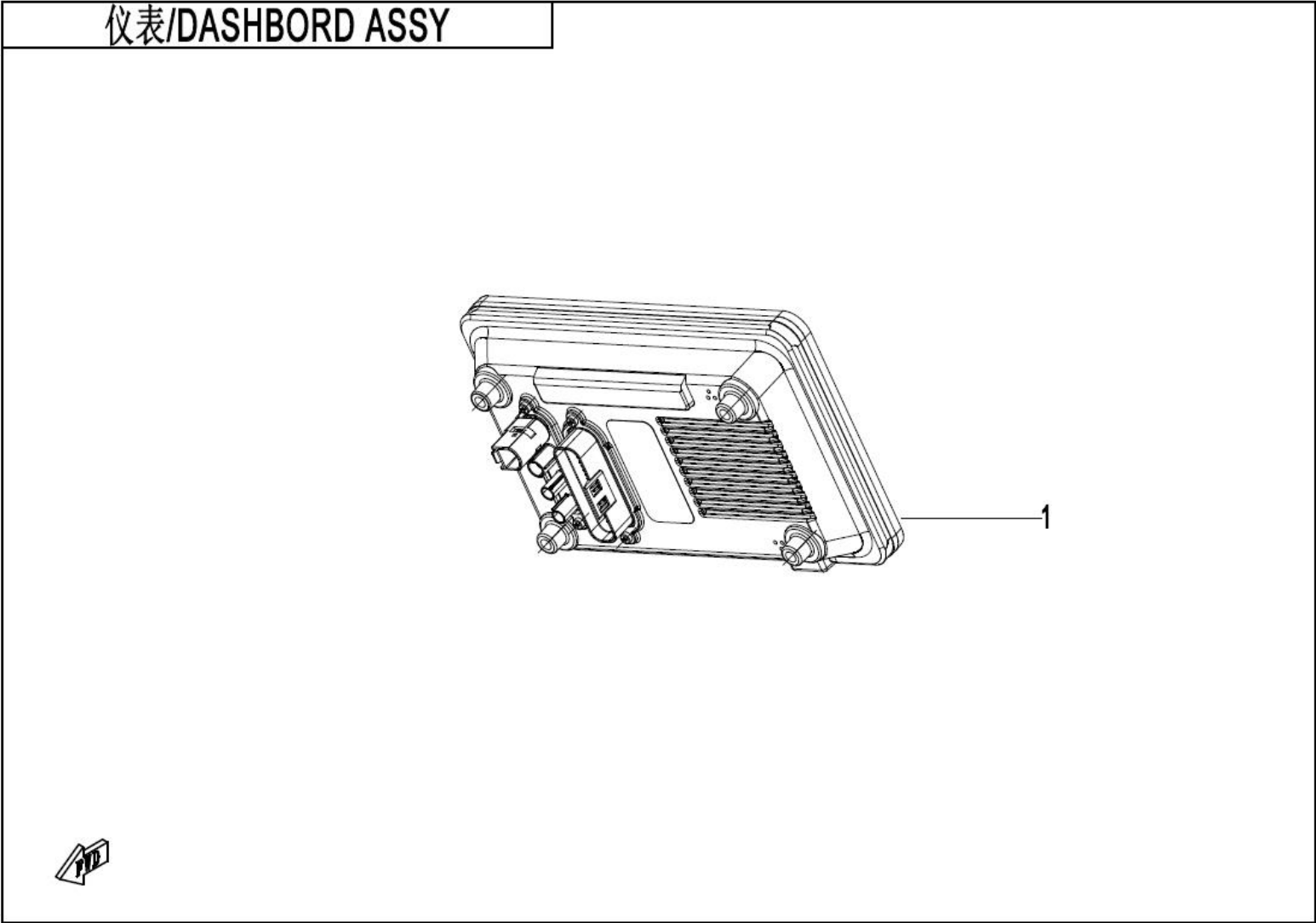
NO.	CODE	EN DESCRIPTION	QTY	REMARKS
F15-30	30110-481130010	SCREW ST4.8X13	3	
F15-31	6WWV-150410-5000-10	VEHICLE CONTROL UNIT	1	
F15-32	6L30-150850-10000	TIRE PRESSURE SENSOR	2	
F15-33	6L30-050020	SCREW KIT M5x12	2	
F15-34	6L30-150860-10000	RF RECEIVER	1	
F15-35	6KJ0-100002	CLUTCH PULL BINDING	5	
F15-36	0180-014010	WIRE CLIP	7	
F15-38	30105-050012410	SCREW M5x12	1	
F15-39	SN1V-691100-1100-12	T-BOX	1	ALT:- SN1V-691100-1102-12
F15-40	6KMV-150901-B001	RUBBER RING, T-BOX	2	
F15-41	6L3V-150191-4200	SPEAKER ADAPTER CABLE	1	
F15-43	9DQV-150300-3000	ALARM	1	
F15-44	6100-150500	RUBBER SLEEVE, FLASHER	6	
F15-45	6WWV-150420-5000-10	BUSHING, VEHICLE CONTROL UNIT	1	
F15-46	6L3V-460100-4200-M1	BACKSCATTER RADAR	1	
F15-47	6L3V-256100-4200	3 INCH MID RANGE TWEETER	2	
F15-48	6L3V-256200-4200	SOUND AMPLIFIER	1	

照明及信号/LIGHTS & SIGNAL



NO.	CODE	EN DESCRIPTION	QTY	REMARKS
F16-01	6L30-163200-10000	FRONT RH TURN LIGHT ASSY	1	
F16-02	30110-420160010	SCREW ST4.2x16	6	
F16-03	30305-060112	WASHER M6	2	
F16-04	30202-060110	NUT M6	9	ALT:- 30204-060810
F16-05	5020-031002	RUBBER SLEEVE LINER, FRONT LICENSE BRACKET	1	
F16-06	5020-031001	RUBBER SLEEVE, FRONT LICENSE BRACKET	1	
F16-07	6L3V-160110-4200-M1	HEADLIGHT	1	
F16-08	8050-160220	SIDE REFLECTOR	2	
F16-09	6NTG-050802	RH BRACKET, FRONT REFLECTOR	1	
F16-10	6NTG-050801	LH BRACKET, FRONT REFLECTOR	1	
F16-11	6L30-163100-10000	FRONT LH TURN LIGHT ASSY	1	
F16-12	30202-050110	NUT M5	1	
F16-13	5190-160230-00002	REAR REFLECTOR	1	
F16-14	6L30-162100-10000	TAIL LIGHT ASSY	1	
F16-15	6L3V-166000-4200	LH HANDLEBAR SWITCH ASSY	1	
F16-16	6L32-167000	HANDLEBAR SWITCH ASSY, RH	1	
F16-17	30137-250120010	SCREW	2	
F16-18	6L3V-169230-4200	REARVIEW MIRROR CONTROL SWITCH	1	
F16-19	6GU#-150001-6000-M1	CLASP	1	

F17 DASHBOARD

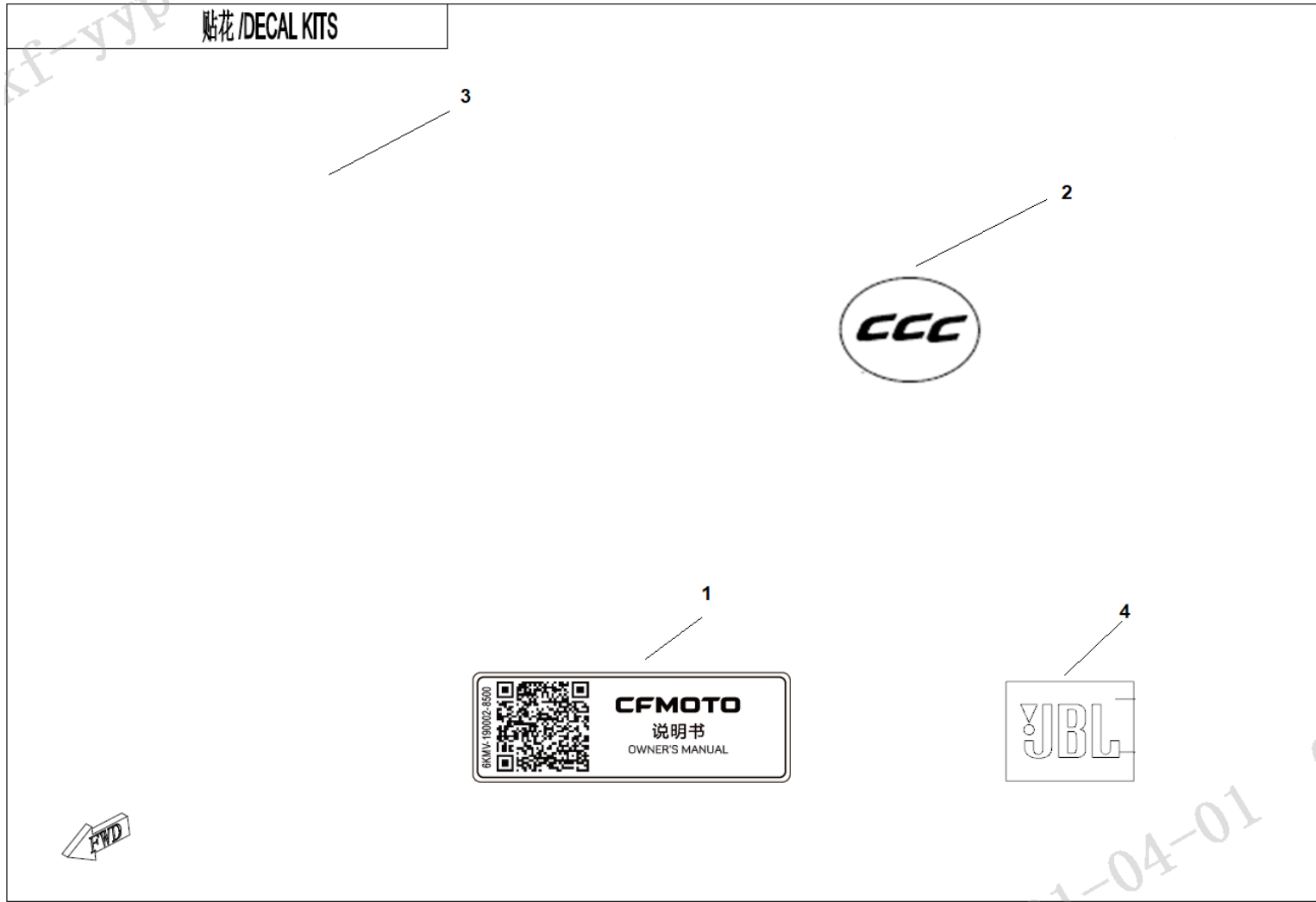


NO.	CODE	EN DESCRIPTION	QTY	REMARKS
F17-01	6L3V-170500-4200-20	MMI DASHBOARD	1	



NO.	CODE	EN DESCRIPTION	QTY	REMARKS
F18-01	6L30-181000	RADIATOR ASSY	1	
F18-02	30006-060012810	BOLT M6x12	4	ALT:- 30006-060012870
F18-03	6L30-180001	WATER INLET HOSE, RADIATOR	1	
F18-04	6L30-180002	WATER OUTLET HOSE, RADIATOR	1	
F18-05	6L30-180010	RESERVOIR TANK ASSY	1	
F18-06	6L30-180003	CONNECTING HOSE, RESERVOIR TANK	1	
F18-07	30006-080030810	BOLT M8x30	1	
F18-08	A000-180010-20000	BUSHING, RADIATOR DAMPER	1	
F18-09	A000-180005	DAMPER2, RADIATOR	2	
F18-10	6L32-180002	CLAMP 25-40-9	3	
F18-11	6090-040302	RUBBER DAMPER	2	
F18-12	6090-040303	BUSHING	2	
F18-13	30006-060020810	BOLT M6x20	4	ALT:- 30006-060020870
F18-14	6L30-180020	LOWER BRACKET, RADIATOR	1	
F18-15	6L32-180001	CLAMP 32-50-9	1	
F18-16	30601-212530	CLAMP B12.5	2	

F19-1 DECAL



NO.	CODE	EN DESCRIPTION	QTY	REMARKS
F19-1-01	6KMV-190002-8501	OWNERS MANUAL QR-CORD DECAL	1	
F19-1-03	6L3J-190002-10000	WARNING LABEL - ENGLISH	1	
F19-1-04	6L3V-256300-4200	JBL TRADEMARK	2	

F19-2 DECAL



①



②



③



④

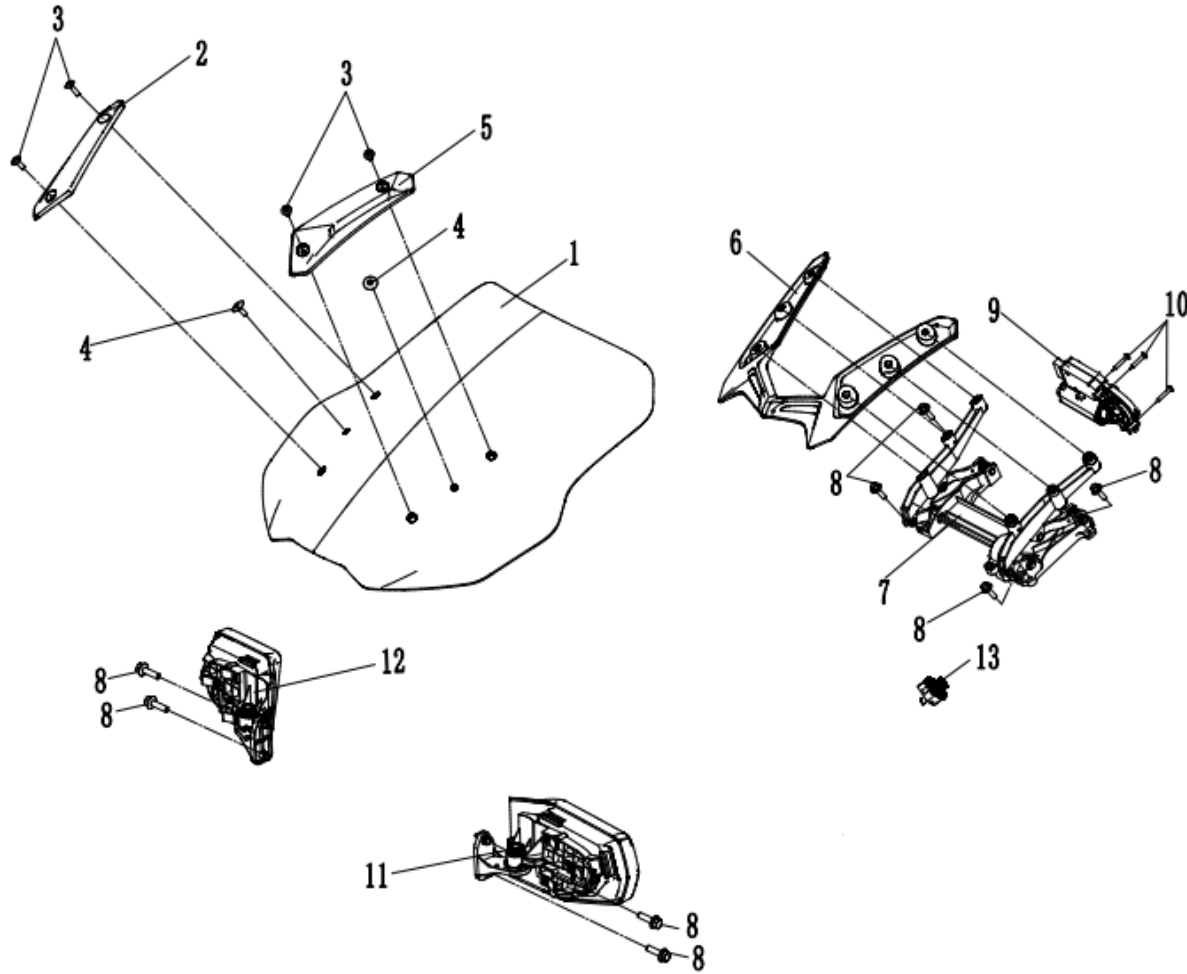


⑤

NO.	CODE	EN DESCRIPTION	QTY	REMARKS
F19-2-01	6L3V-190001-4200	LH PANEL LOGO	1	
F19-2-02	6L3V-190002-4200	RH PANEL LOGO	1	
F19-2-03	6L3V-190004-4200	VEHICLE FRONT LOGO	1	
F19-2-04	6L32-190003	STICKER, SIDE BOX	2	
F19-2-05	6L32-190005	MODEL DECAL	2	

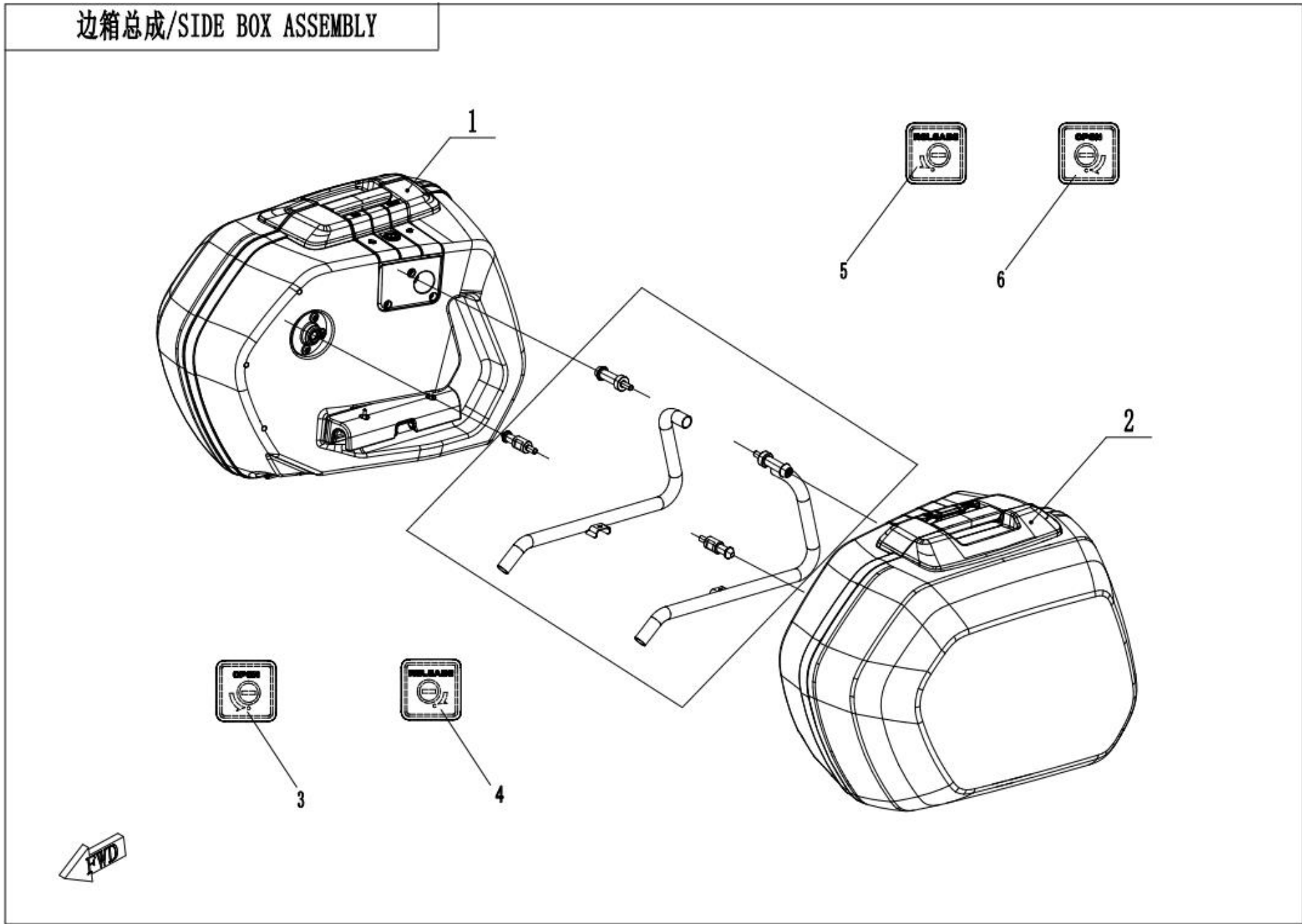


可调风挡玻璃/AJUSTABLE WINDSHIELD



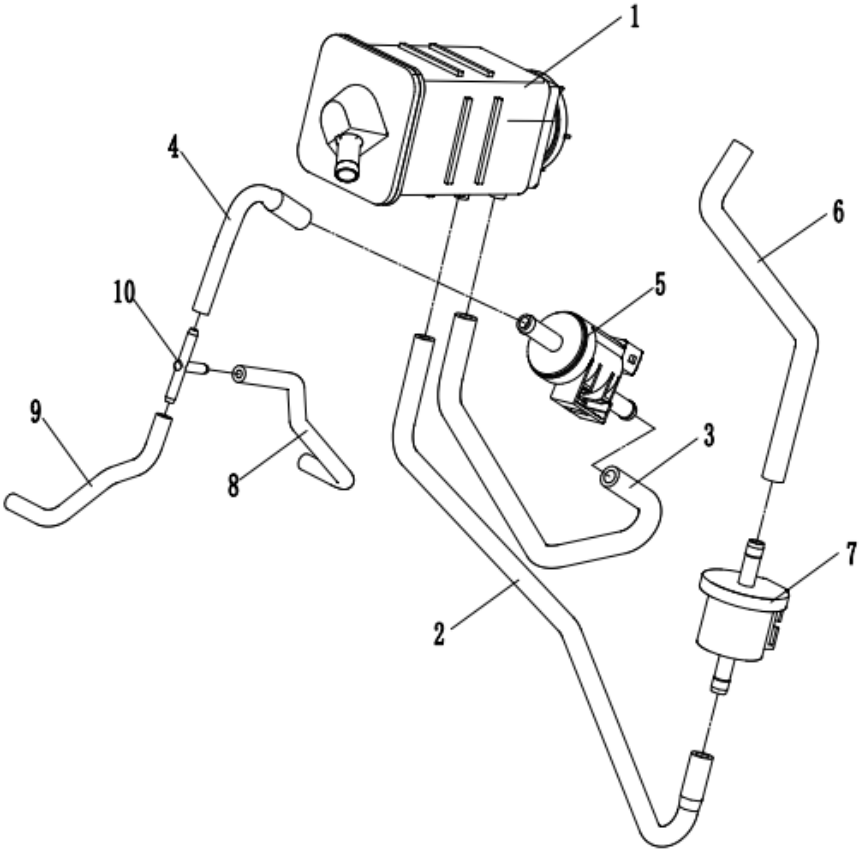
NO.	CODE	EN DESCRIPTION	QTY	REMARKS
F20-01	6L30-200402	WINDSHIELD	1	
F20-02	6L30-200404-0BT00	RH STRAP, WINDSHIELD	1	
F20-03	A010-120003	BOLT M6x16	4	ALT:- 6NQ#-000206-6001
F20-04	A000-060002	SCREW, CHAIN GUARD	2	
F20-05	6L30-200403-0BT00	LH STRAP, WINDSHIELD	1	
F20-06	6L30-200401	BUSHING, WINDSHIELD	1	
F20-07	6L30-200410	BRACKET, WINDSHIELD	1	
F20-08	30006-060022810	BOLT	8	
F20-09	6NTG-150600	WINDSHIELD MOTOR	1	
F20-10	30110-480320700	SELF-TAPPING SCREW ST4.8x3.2-C-H	3	
F20-11	6L30-200200-0VS00	LH REAR VIEW MIRROR ASSY (NEBULA WHITE)	1	
F20-11	6L30-200200-0ET00	LH REAR VIEW MIRROR ASSY (TWILIGHT BLUE)	1	
F20-12	6L30-200300-0VS00	RH REAR VIEW MIRROR ASSY (NEBULA WHITE)	1	
F20-12	6L30-200300-0ET00	RH REAR VIEW MIRROR ASSY (TWILIGHT BLUE)	1	
F20-13	6L3V-169230-4200	REARVIEW MIRROR CONTROL SWITCH	1	

边箱总成/SIDE BOX ASSEMBLY



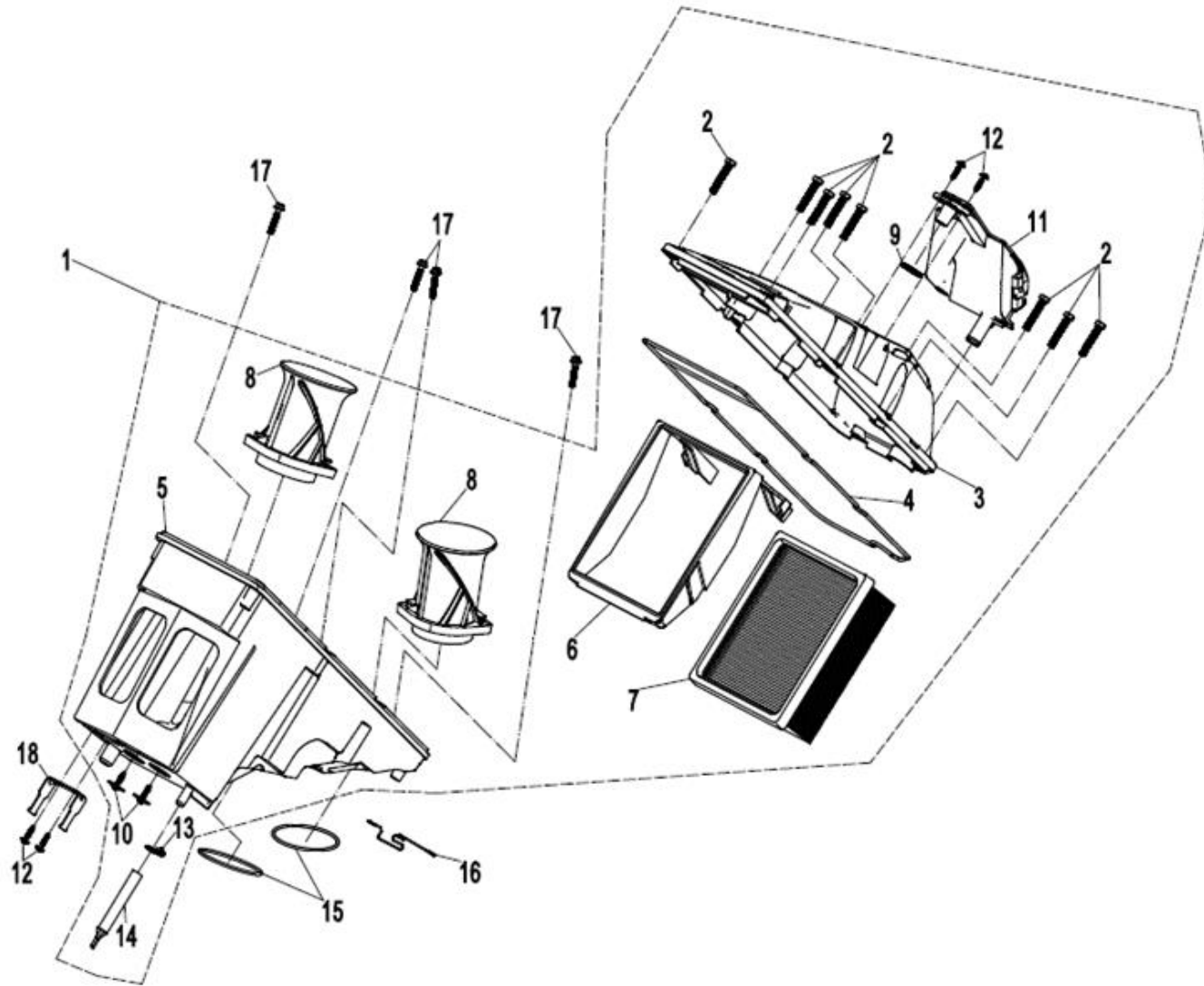
NO.	CODE	EN DESCRIPTION	QTY	REMARKS
F22-01	6L30-222000-1VS00	RH REAR SIDE BOX ASSY (NEBULA WHITE)	1	ORDER UPON SO
F22-01	6L30-222000-1ET00	RH REAR SIDE BOX ASSY (TWILIGHT BLUE)	1	ORDER UPON SO
F22-02	6L30-221000-1VS00	LH REAR SIDE BOX ASSY (NEBULA WHITE)	1	ORDER UPON SO
F22-02	6L30-221000-1ET00	LH REAR SIDE BOX ASSY (TWILIGHT BLUE)	1	ORDER UPON SO
F22-03	6L30-221801	DECAL, LH SIDE BOX	1	
F22-04	6L30-221802	DECAL, LH SIDE BOX	1	
F22-05	6L30-222802	DECAL, RH SIDE BOX	1	
F22-06	6L30-222801	DECAL, RH SIDE BOX	1	

燃油蒸发系统/FUEL EXHALATION SYSTEM



NO.	CODE	EN DESCRIPTION	QTY	REMARKS
F36-01	6L30-360200	CANISTER	1	
F36-02	6L30-360002	FUEL VAPOR HOSE 2	1	
F36-03	6L30-360001	FUEL VAPOR HOSE 1	1	
F36-04	6L30-360004	FUEL VAPOR HOSE 4	1	
F36-05	9GQ0-360100	TWO-WAY VALVE	1	
F36-06	6L30-360003	FUEL VAPOR HOSE 3	1	
F36-07	1F30-172000	CANISTER MAGNETIC VALVE	1	
F36-08	6L30-360006	FUEL VAPOR HOSE 6	1	
F36-09	6L30-360005	FUEL VAPOR HOSE 5	1	
F36-10	8010-360001	VACUUM T-JOINT	1	

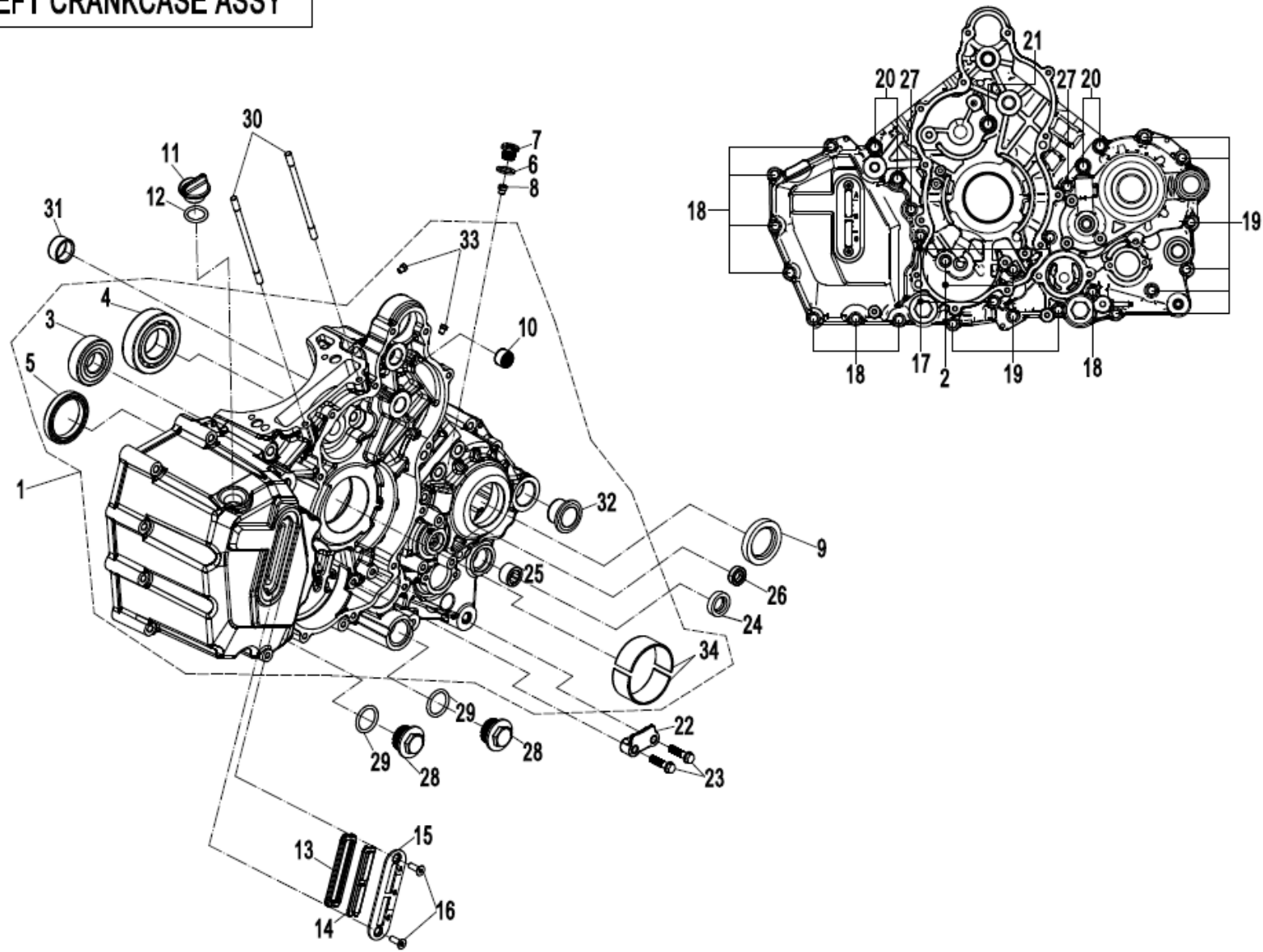
滤清器总成/AIR FILTER ASSY



NO.	CODE	EN DESCRIPTION	QTY	REMARKS
F41-01	1F30-111000-10001	AIR FILTER SUB ASSY	1	
F41-02	1F30-111001	BOLT, AIR FILTER COVER	8	
F41-03	1F30-111002-00001	AIR FILTER COVER	1	
F41-04	1F30-111003	SEAL RING, AIR FILTER COVER	1	
F41-05	1F30-111004-00001	AIR FILTER HOUSING	1	
F41-06	1F30-111005	LOCK PANEL, FILTER ELEMENT	1	
F41-07	1F30-111006	FILTER ELEMENT	1	
F41-08	1F30-111007	AIR INLET PIPE, VALVE	2	
F41-09	1F30-111008	SEAL RING	1	
F41-10	1F30-111010	BOLT KIT	2	
F41-11	1F30-111020	MAZE ASSY	1	
F41-12	30110-480160010	SCREW ST4.8x16	4	
F41-13	30601-110030	CLAMP A10	1	ALT:- 30601-110010
F41-14	0700-111006	OIL STORAGE HOSE	1	
F41-15	1F30-110002	O-RING 66x2.5	2	
F41-16	1F30-110003	STEEL WIRE HOOK	1	
F41-17	1F30-110004	BOLT M5x27	4	
F41-18	1F30-110001-10000	BRACKET, GULP VALVE	1	



左曲轴箱组/LEFT CRANKCASE ASSY

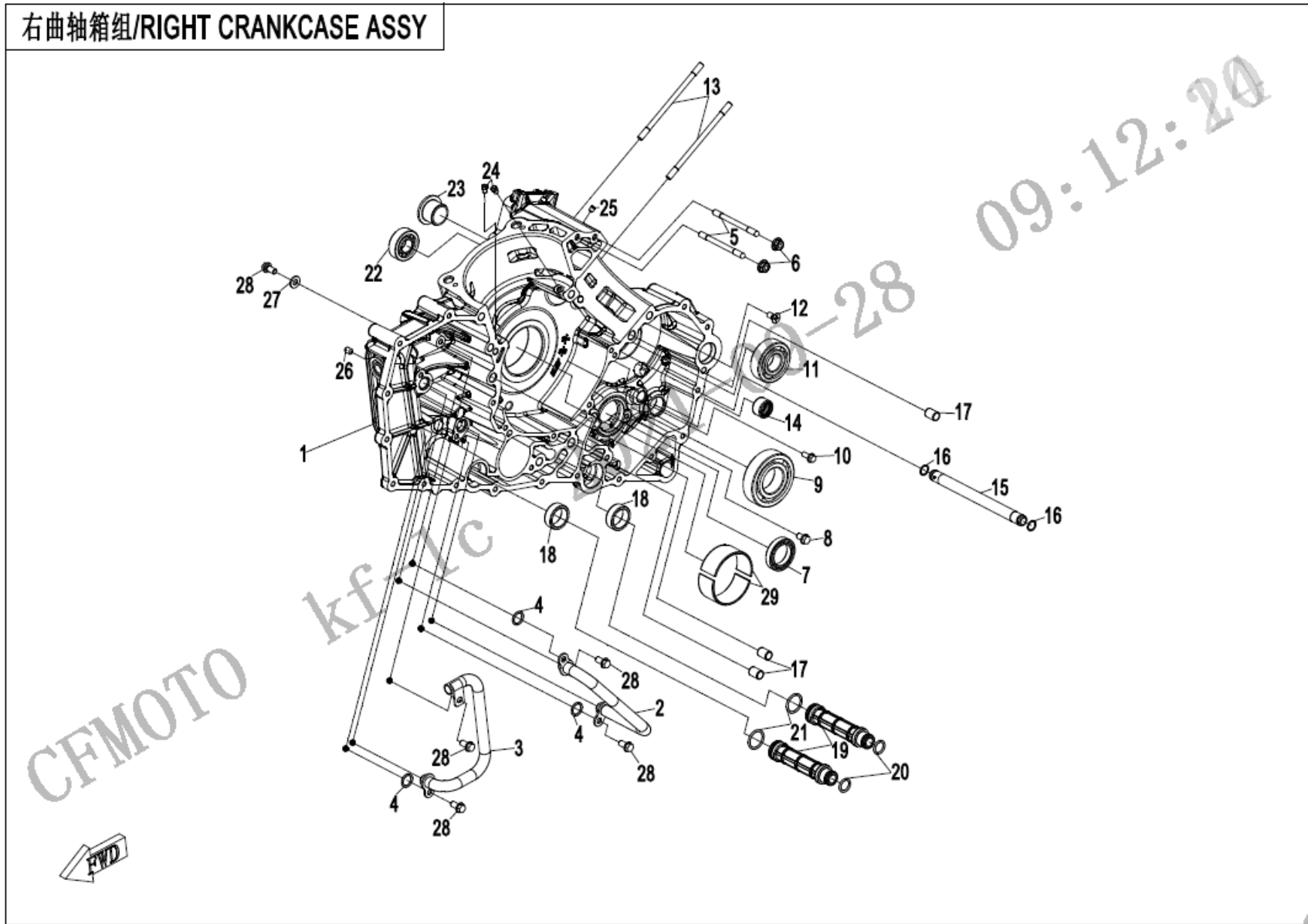


NO.	CODE	EN DESCRIPTION	QTY	REMARKS
E01-1-02	0A70-011005-00001	BOLT M6x75	2	
E01-1-03	30499-02009	BEARING	1	
E01-1-04	1F30-011200	BEARING NJ206ET2XCS46	1	
E01-1-05	30400-04000	BEARING	1	
E01-1-06	0800-022014	WASHER 12.2x18x1.5	1	
E01-1-07	0010-022303-0020	SCREW PLUG M12x1	1	
E01-1-08	1F30-011015	CHECK VALVE $\phi$ 0.3	1	
E01-1-09	0180-012006-00001	OIL SEAL 30X45X8	1	
E01-1-10	30403-01200	NEEDLE BEARING HK1210	1	
E01-1-11	0A70-013005	BOLT PLUG, FUEL FILLING PORT	1	
E01-1-12	0A70-013006	O-SEAL RING 16.8x3.1	1	
E01-1-13	1F30-011021	SEAL RING, GLASS WINDOW	1	
E01-1-14	1F30-011019	GLASS WINDOW, OIL LEVEL	1	
E01-1-15	1F30-011018-10000	PRESSING PLATE	1	
E01-1-15	1F30-011018-1BP00	PRESS PLATE	1	
E01-1-16	30122-050016170	SCREW	2	
E01-1-17	1F30-011012	BOLT M6x98	3	
E01-1-18	0010-011017-0010	BOLT M6x60	8	
E01-1-19	0010-021018-0010	BOLT M6x55	9	
E01-1-20	0700-011002-00001	BOLT M8x120	4	
E01-1-21	1F30-011013	BOLT M8x112	1	
E01-1-22	1F30-011030	GUARD	1	
E01-1-23	0010-021017-0010	BOLT M6x25	2	
E01-1-24	1F30-011600	OIL SEAL 14x24x6	1	
E01-1-25	30403-01400	NEEDLE BEARING	1	
E01-1-26	1F30-011500	OIL SEAL 9x18x6	1	
E01-1-27	0030-011006-0010	BOLT M6x105	2	
E01-1-28	1F30-011002	SCREW PLUG M24x1.5	2	
E01-1-29	0180-080001	O-RING 21x2.5	2	
E01-1-30	1F30-011011	STUD M6X109	2	

---

NO.	CODE	EN DESCRIPTION	QTY	REMARKS
E01-1-31	1F30-011008	DOWEL PIN 24×20×12	1	
E01-1-32	1F30-011104	HANGING BUSH	1	
E01-1-33	1F30-011103	OIL NOZZLE (Φ0.7)	2	
E01-1-34	1F30-011102-00010	BEARING BUSH, CRANKCASE	2	
E01-1-34	1F30-011102-00020	BEARING BUSH, CRANKCASE	2	

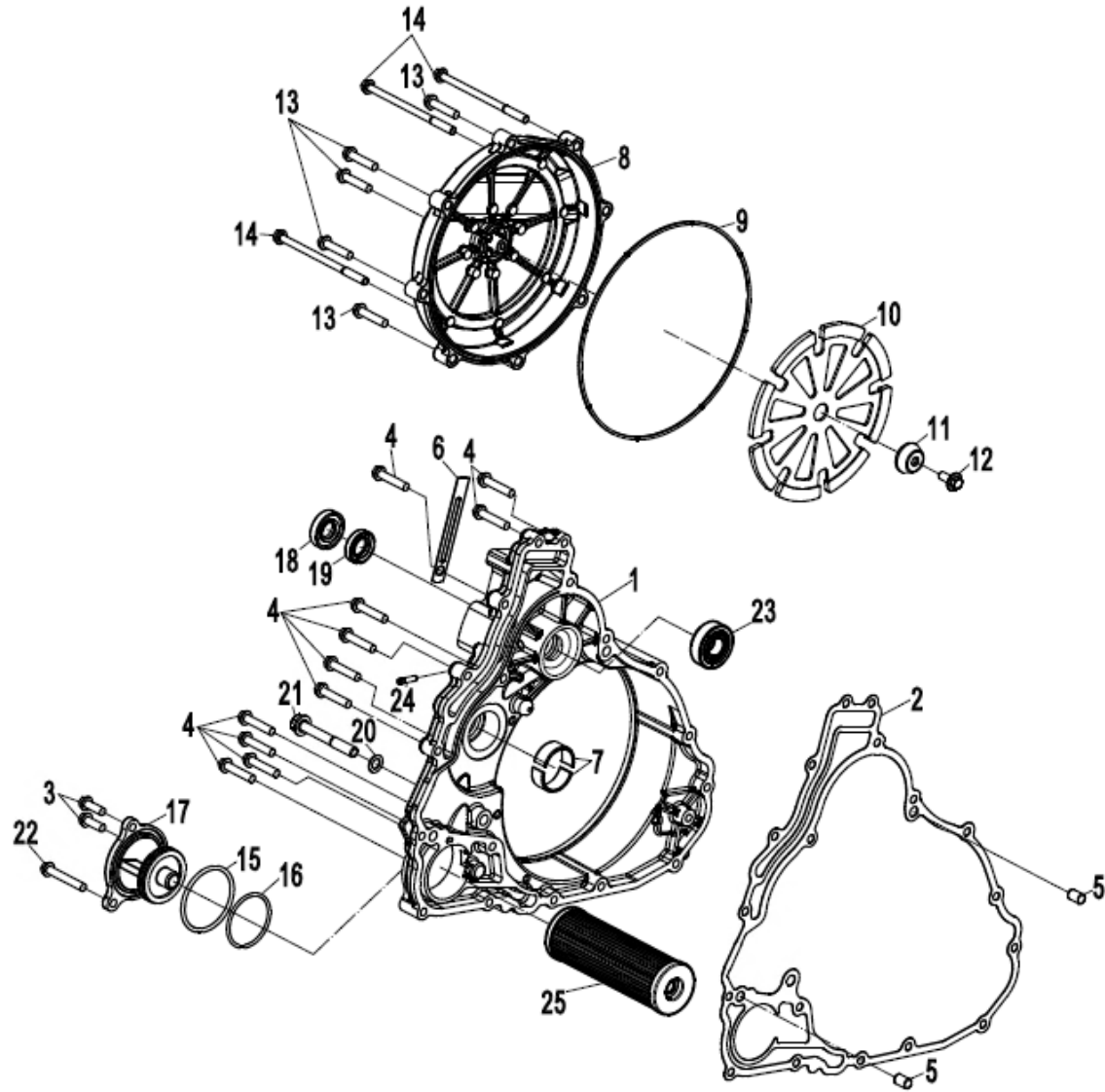
E01-2 RIGHT CRANKCASE ASSY



NO.	CODE	EN DESCRIPTION	QTY	REMARKS
E01-2-01	1F30-012101-1B202	RH CRANKCASE	1	
E01-2-01	1F30-012101-1BP02	RH CRANKCASE	1	

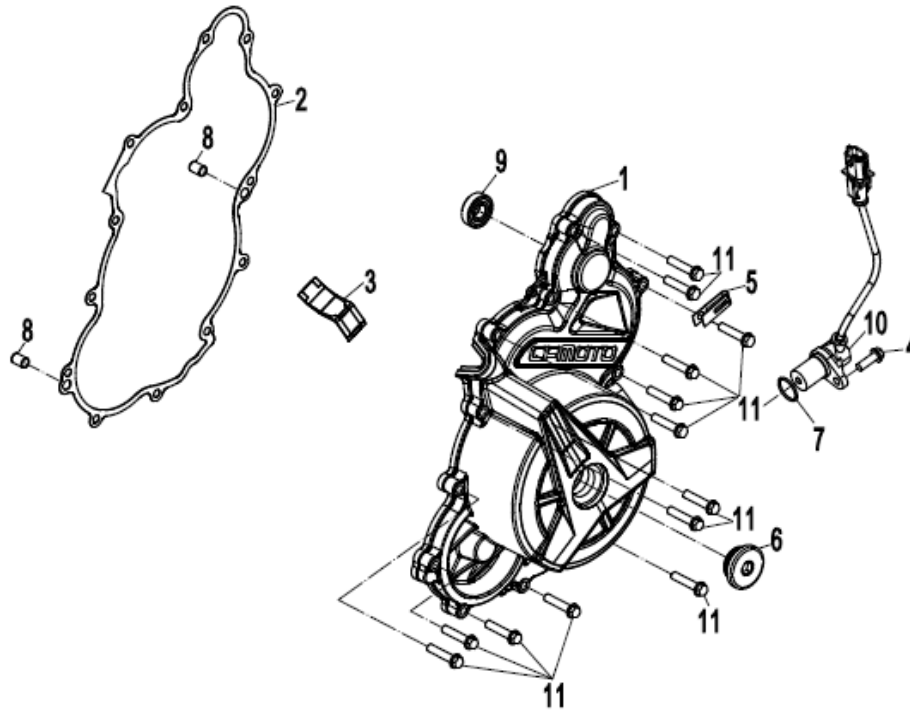
NO.	CODE	EN DESCRIPTION	QTY	REMARKS
E01-2-02	1F30-012600-10000	OIL PIPE	1	
E01-2-03	1F30-012700-10000	OIL PIPE II	1	
E01-2-04	30502-011002F	O-RING	3	
E01-2-05	0180-022001-0020	STUD M6x70	2	
E01-2-06	30202-060110	NUT M6	2	ALT:- 30204-060810
E01-2-07	30400-02504	BEARING	1	
E01-2-08	0010-080010-00001	BOLT M6x10	1	
E01-2-09	30499-03003	BEARING	1	
E01-2-10	0700-012013-00001	BOLT M5x12	1	
E01-2-11	30499-02008	BEARING	1	
E01-2-12	30107-060012410	SCREW M6x12	1	
E01-2-13	1F30-011011	STUD M6X109	2	
E01-2-14	30403-01400	NEEDLE BEARING	1	
E01-2-15	1F30-012410	OIL PIPE, GEAR	1	
E01-2-16	1F30-012402	O-RING 10x1	2	
E01-2-17	0010-021005	DOWEL PIN 10x14	3	
E01-2-18	1F30-012003	AXLE SLEEVE	2	
E01-2-19	1F30-012510	FILTER SCREEN	2	
E01-2-20	ODM0-011006	O-SEAL RING 13x2	2	
E01-2-21	1F30-024014	O-SEAL RING 17x2	2	
E01-2-22	1F30-012120	BEARING NJ202	1	
E01-2-23	1F30-011104	HANGING BUSH	1	
E01-2-24	1F30-011103	OIL NOZZLE (Φ0.7)	2	
E01-2-25	0700-066006-00002	OIL LIMIT PLUG	1	
E01-2-26	01A0-023003	RESTRICTION PLUG	1	
E01-2-27	0010-060009	WASHER 6	1	
E01-2-28	0010-021019-0010	BOLT M6x12	5	
E01-2-29	1F30-011102-00010	BEARING BUSH, CRANKCASE	2	
E01-2-29	1F30-011102-00020	BEARING BUSH, CRANKCASE	2	

右侧盖分总成/RIGHT SIDE COVER



NO.	CODE	EN DESCRIPTION	QTY	REMARKS
E01-3-01	1F30-013111-5BP01	RH INNER SIDE COVER	1	
E01-3-02	1F30-013001	GASKET, RIGHT INNER COVER	1	
E01-3-03	0010-023008-00001	BOLT M6x18	2	
E01-3-04	0010-060012-0010	BOLT M6x30	11	
E01-3-05	30410-00800	ROLLER	2	
E01-3-06	0180-014010	WIRE CLIP	1	
E01-3-07	1F30-013102	PLAIN BEARING, RIGHT INNER COVER	2	
E01-3-08	1F30-013201-3VR00	RH OUTER COVER	1	
E01-3-08	1F30-013201-3H700	RH OUTER COVER	1	
E01-3-09	1F30-013203	SEAL RING, RIGHT OUTER COVER	1	
E01-3-10	1F30-013210	RUBBER ASSY	1	
E01-3-11	1F30-013202	CUSHION BLOCK	1	
E01-3-12	1F30-080001	BOLT M6x12	1	
E01-3-13	0010-070003-00001	BOLT M6x28	5	
E01-3-14	1F30-011012	BOLT M6x98	3	
E01-3-15	1F30-013105	O-RING 48x3	1	
E01-3-16	0180-022011	O-SEAL RING 40x2.4	1	
E01-3-17	1F30-013106-0B201	FILTER COVER	1	
E01-3-17	1F30-013106-0BP01	FILTER COVER	1	
E01-3-18	1F30-013140-10000	OIL SEAL 15x30x7	1	
E01-3-18	1F30-013140-10000	OIL SEAL	1	
E01-3-19	0800-011203	OIL SEAL	1	ALT:- 0800-011203-10000
E01-3-20	0010-021016	WASHER 8	1	
E01-3-21	0700-012004-00002	BOLT M8x60	1	
E01-3-22	0010-013009-0010	BOLT M6x40	1	
E01-3-23	1F30-012120	BEARING NJ202	1	
E01-3-24	01A0-022102	PIPE JOINT	1	
E01-3-25	1F30-013300	FILTER ELEMENT	1	

左侧盖分总成/LEFT SIDE COVER

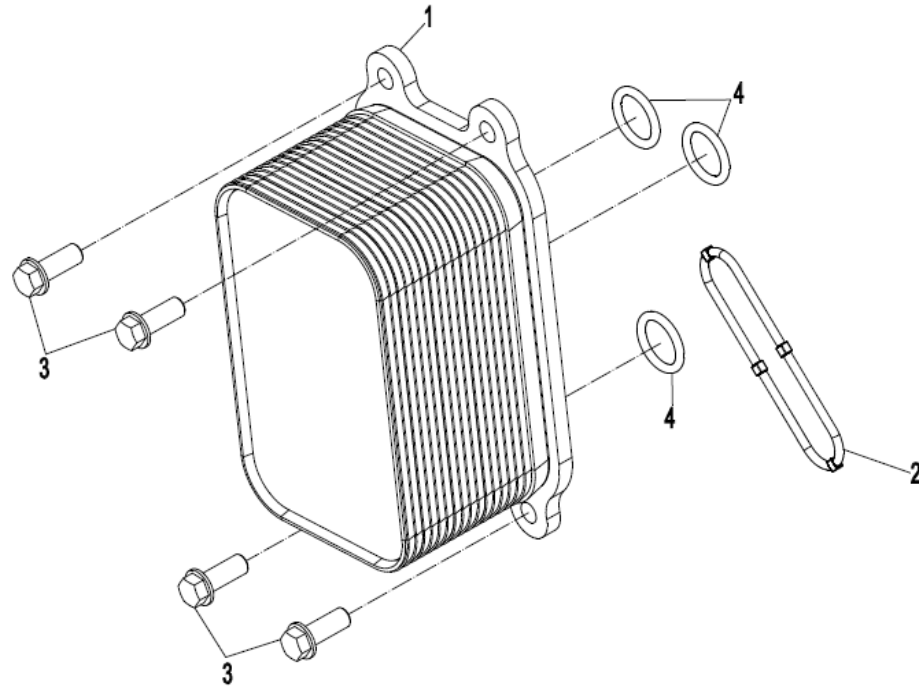




NO.	CODE	EN DESCRIPTION	QTY	REMARKS
E01-4-01	1F30-014001-2H701	LH SIDE COVER	1	
E01-4-01	1F30-014001-2HB01	LH SIDE COVER	1	
E01-4-01	1F30-014001-2VR01	LH SIDE COVER	1	
E01-4-02	1F30-014002	GASKET, LEFT SIDE COVER	1	
E01-4-03	1F30-014003	PRESS PLATE	1	
E01-4-04	0010-023008-00001	BOLT M6x18	1	
E01-4-05	0180-014010	WIRE CLIP	1	
E01-4-06	0A70-014005-0VR00	SCREW PLUG, LH FRONT SIDE COVER	1	
E01-4-07	0A70-014006	O-SEAL RING 22.7x3.1	1	
E01-4-08	30410-00800	ROLLER	2	
E01-4-09	30400-01208	BEARING	1	
E01-4-10	0800-014100-1000	RPM SENSOR	1	
E01-4-11	0010-060012-0010	BOLT M6x30	13	

E01-5 OIL COOLER ASSY

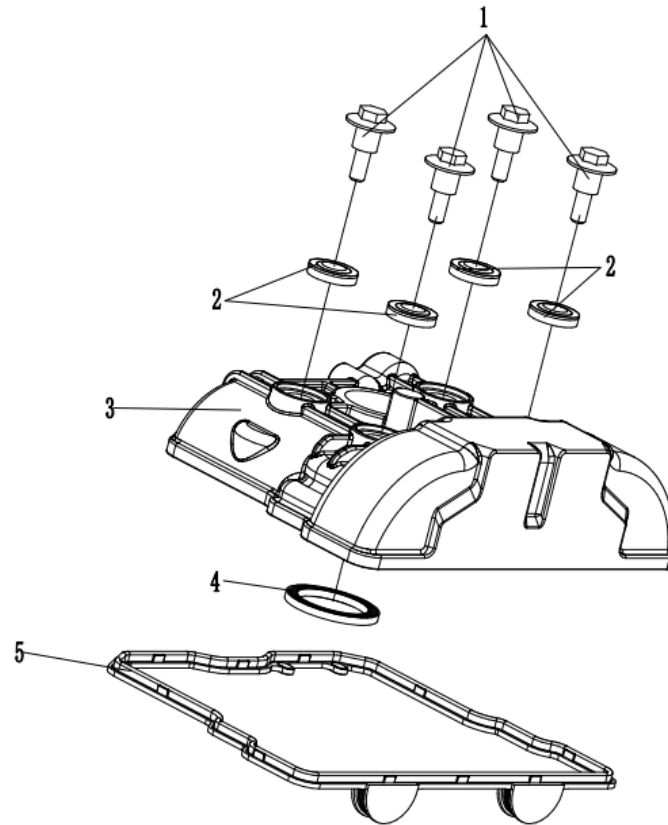
机油冷却器分总成/OIL COOLER ASSY



NO.	CODE	EN DESCRIPTION	QTY	REMARKS
E01-5-01	1F30-015100	OIL COOLER ASSY	1	
E01-5-01	1F30-015100-0BP00	OIL COOLER ASSY	1	
E01-5-02	1F30-015001-00001	SEAL RING	1	
E01-5-03	0010-090005-0010	BOLT M6x16	4	
E01-5-04	0700-070003	O-SEAL RING 14x2.5	3	

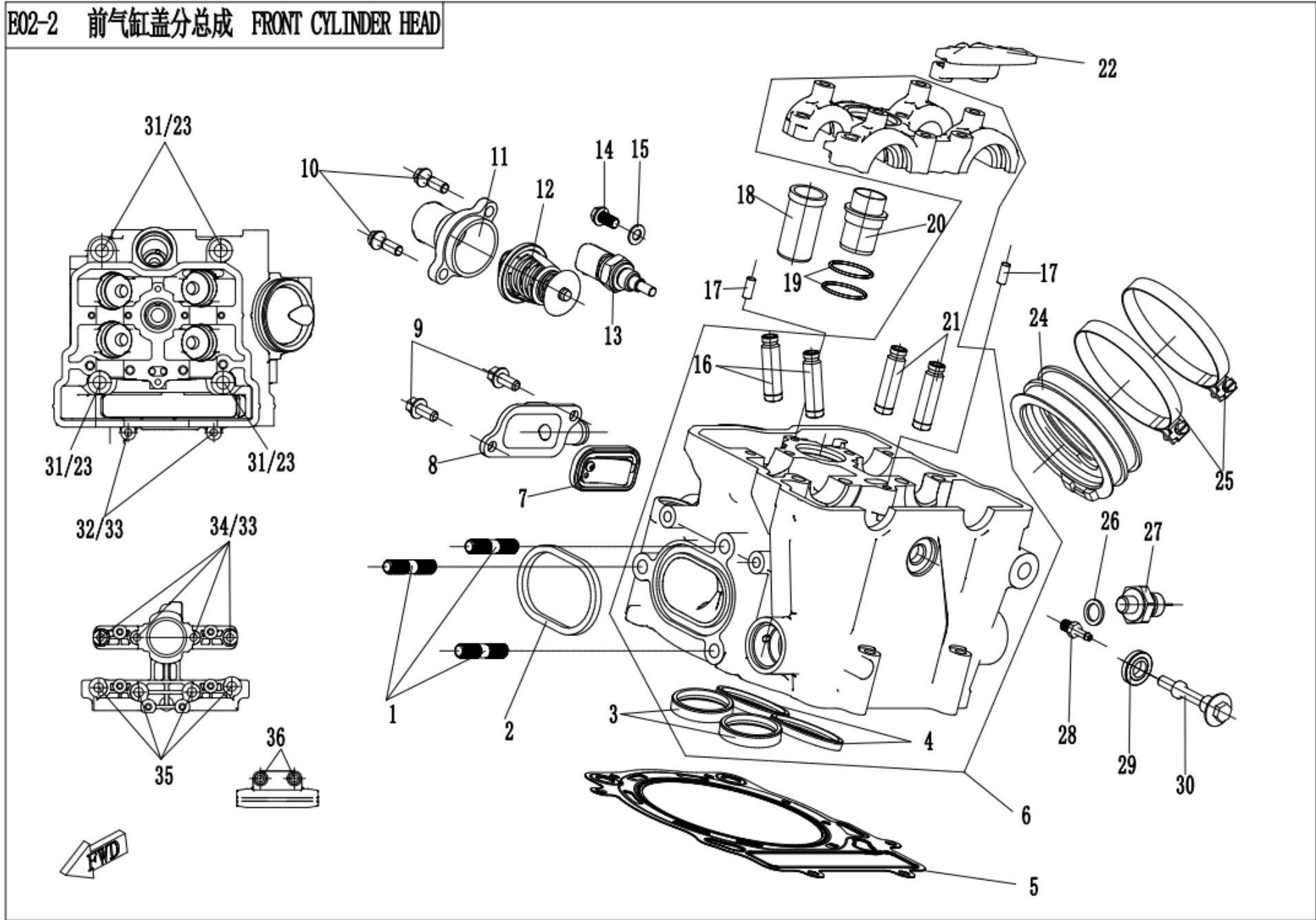
E02-1 FRONT CYLINDER HEAD COVER

E02-1 前气缸盖罩分总成 FRONT CYLINDER HEAD COVER



NO.	CODE	EN DESCRIPTION	QTY	REMARKS
E02-1-01	0700-021003-00001	BOLT, CYLINDER HEAD COVER	4	
E02-1-02	0700-021200	SEAL RING, CYLINDER HEAD COVER BOLT	4	
E02-1-03	1F30-021001-1H700	FIRST CYLINDER HEAD COVER	1	
E02-1-03	1F30-021001-1VR00	FIRST CYLINDER HEAD COVER	1	
E02-1-04	1F30-021004	SEAL GASKET, SPARK PLUG SLEEVE	1	
E02-1-05	1F30-021002	SEAL GASKET, CYLINDER HEAD COVER	1	

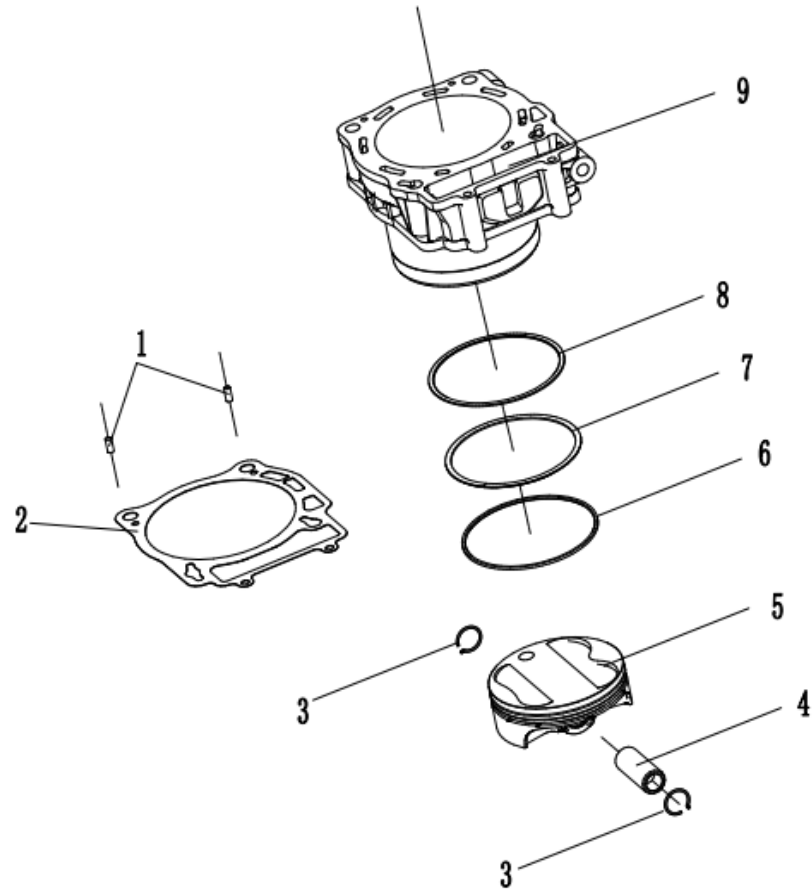
E02-2 前气缸盖分总成 FRONT CYLINDER HEAD



NO.	CODE	EN DESCRIPTION	QTY	REMARKS
E02-2-01	1F30-022012	STUD M8X37	3	
E02-2-02	1F30-022020	GASKET, EXHAUST PIPE	1	
E02-2-03	1F30-022213	RING, AIR EXHAUST VALVE SEAT	2	
E02-2-04	1F30-022212	RING, AIR INTAKE VALVE SEAT	2	
E02-2-05	1F30-022600	GASKET, CYLINDER HEAD	1	
E02-2-06	1F30-022200-0B201	FIRST CYLINDER HEAD	1	
E02-2-06	1F30-022200-0BP01	FIRST CYLINDER HEAD	1	
E02-2-07	1F30-026100-10000	SPRING VALVE ASSY	1	
E02-2-08	1F30-026001-2BP00	SPRING VALVE CAP	1	
E02-2-09	0010-090005-0010	BOLT M6x16	2	
E02-2-10	0010-023008-00001	BOLT M6x18	2	
E02-2-11	1F30-022014-10000	THERMOSTAT CAP	1	
E02-2-11	1F30-022014-1BP00	THERMOSTAT CAP	1	
E02-2-12	1F30-022900	THERMOSTAT ASSY	1	
E02-2-13	018B-022810	WATER TEMPERATURE SENSOR	1	
E02-2-14	0010-021019-0010	BOLT M6x12	1	
E02-2-15	0010-080011	WASHER 6x12x1	1	
E02-2-16	1F30-022214	EXHAUST VALVE GUIDE	2	
E02-2-17	30406-00500	ROLLER NEEDLE P5x11.8	2	
E02-2-18	1F30-022016	SLEEVE, SPARK PLUG	1	
E02-2-18	1F30-022016-10000	SPARK PLUG SLEEVE	1	
E02-2-19	1F30-022018	O-SEAL RING 29.87X1.78	2	
E02-2-20	1F30-022017	SLEEVE, SPARK PLUG	1	
E02-2-20	1F30-022017-10000	SPARK PLUG SLEEVE	1	
E02-2-21	1F30-022215	INTAKE VALVE GUIDE	2	
E02-2-22	1F30-022800	CHAIN GUIDE BLOCK	1	
E02-2-23	1F30-022005	WAHSER 11.5X20X2.3	4	
E02-2-24	1F30-022009	AIR INLET PIPE	1	
E02-2-25	1F30-022700	CLAMP 75	2	
E02-2-26	0010-060010	WASHER 10	1	

NO.	CODE	EN DESCRIPTION	QTY	REMARKS
E02-2-27	0800-012400	OIL PRESSURE SWITCH	1	
E02-2-28	1F30-022015	CONNECTOR, VACUUM PIPE	1	
E02-2-29	0700-021200	SEAL RING, CYLINDER HEAD COVER BOLT	1	
E02-2-30	ODM0-022008	BOLT, CYLINDER HEAD	1	ALT:- ODM0-022008-00001
E02-2-31	1F30-022011	CYLINDER BOLT M11x1.5x145	4	
E02-2-32	30212-060810	CAP-SHAPE BOLT M6	2	
E02-2-33	0060-030004-0030	WASHER 6x10.4x1.6	6	
E02-2-35	1F30-022202-10000	INNER HEX SCREW M8x30	4	
E02-2-36	0010-023010-0010	BOLT M6x20	2	

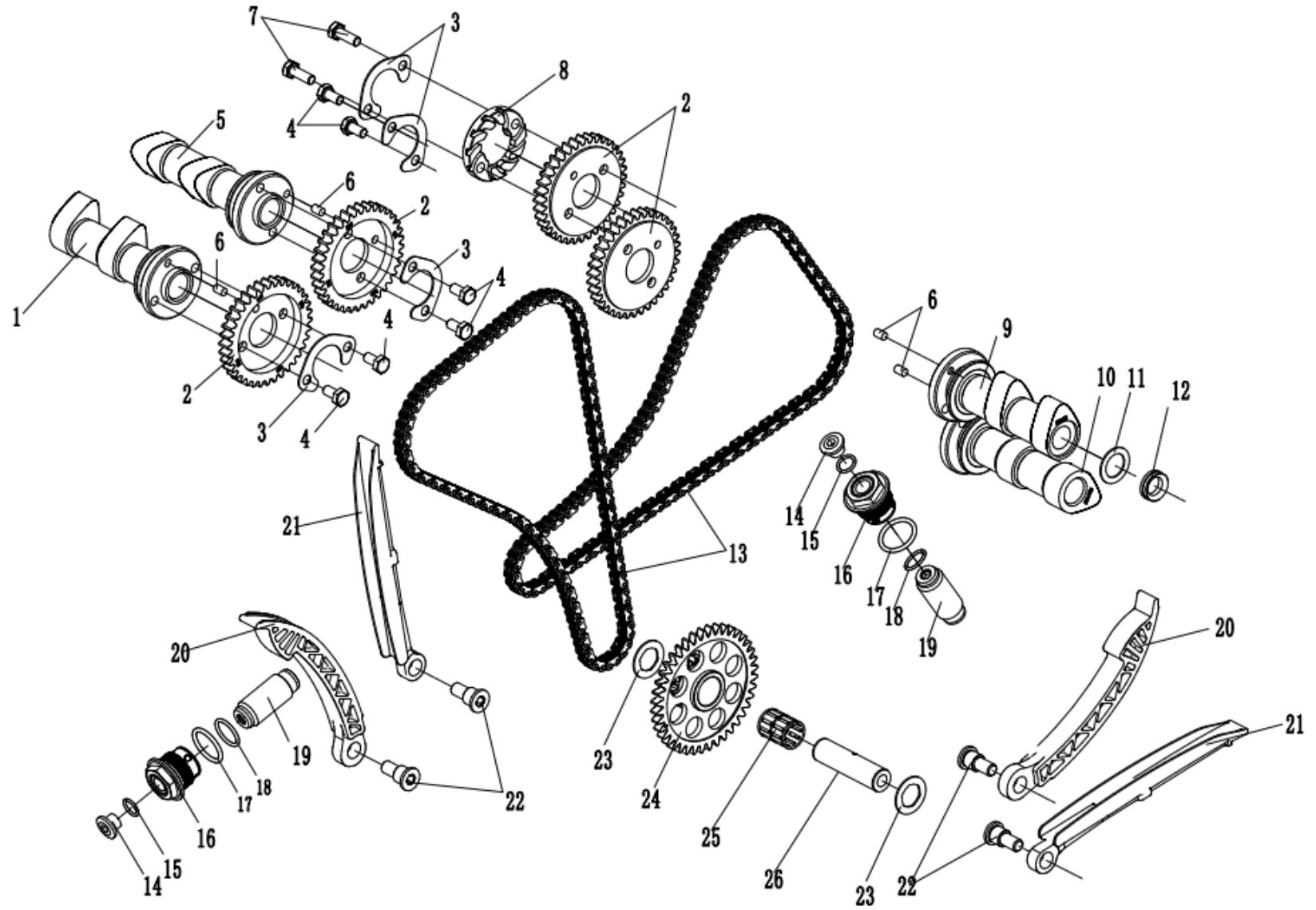
E02-3 气缸体分总成 CYLINDER BODY



NO.	CODE	EN DESCRIPTION	QTY	REMARKS
E02-3-01	30406-00500	ROLLER NEEDLE P5x11.8	8	
E02-3-02	1F30-023002	GASKET, CYLINDER BODY	2	
E02-3-02	1F30-023002-10000	GASKET, CYLINDER	2	
E02-3-03	1F30-040002	CIRCLIP, PISTON PIN	4	
E02-3-04	1F30-040003	PISTON PIN	2	
E02-3-05	1F30-040001-00010	PISTON	2	
E02-3-05	1F30-040001-00020	PISTON	2	
E02-3-06	1F30-040110	OIL RING COMP.	2	
E02-3-07	1F30-040102	SECOND COMPRESSION RING	2	
E02-3-08	1F30-040101	TOP COMPRESSION RING	2	
E02-3-09	1F30-023001-0B200	CYLINDER BODY (MATTE BLACK)	2	
E02-3-09	1F30-023001-0B210	CYLINDER BODY	2	
E02-3-09	1F30-023001-0BP00	CYLINDER BODY	2	

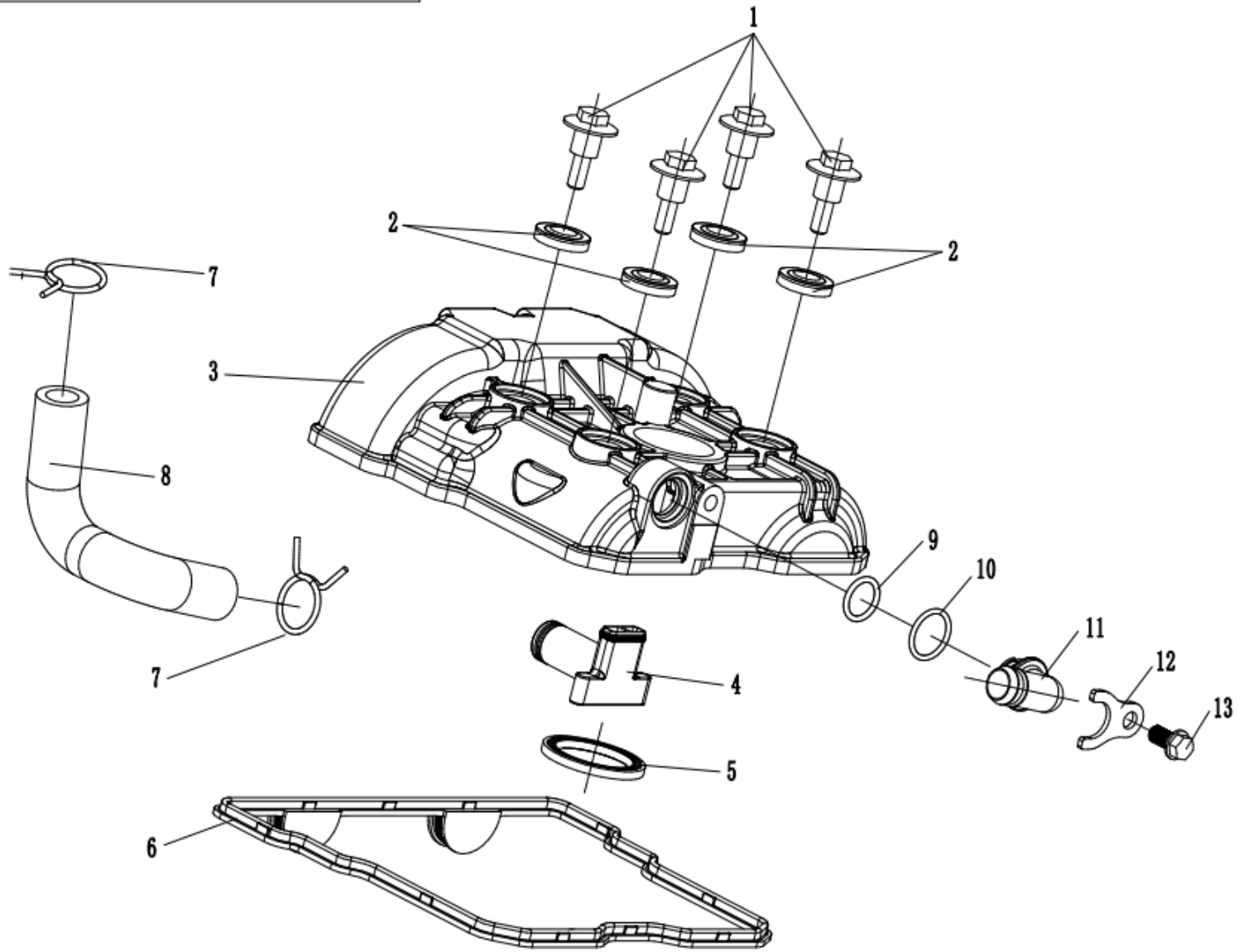


E02-4 配气传动分总成 CAMSHAFT



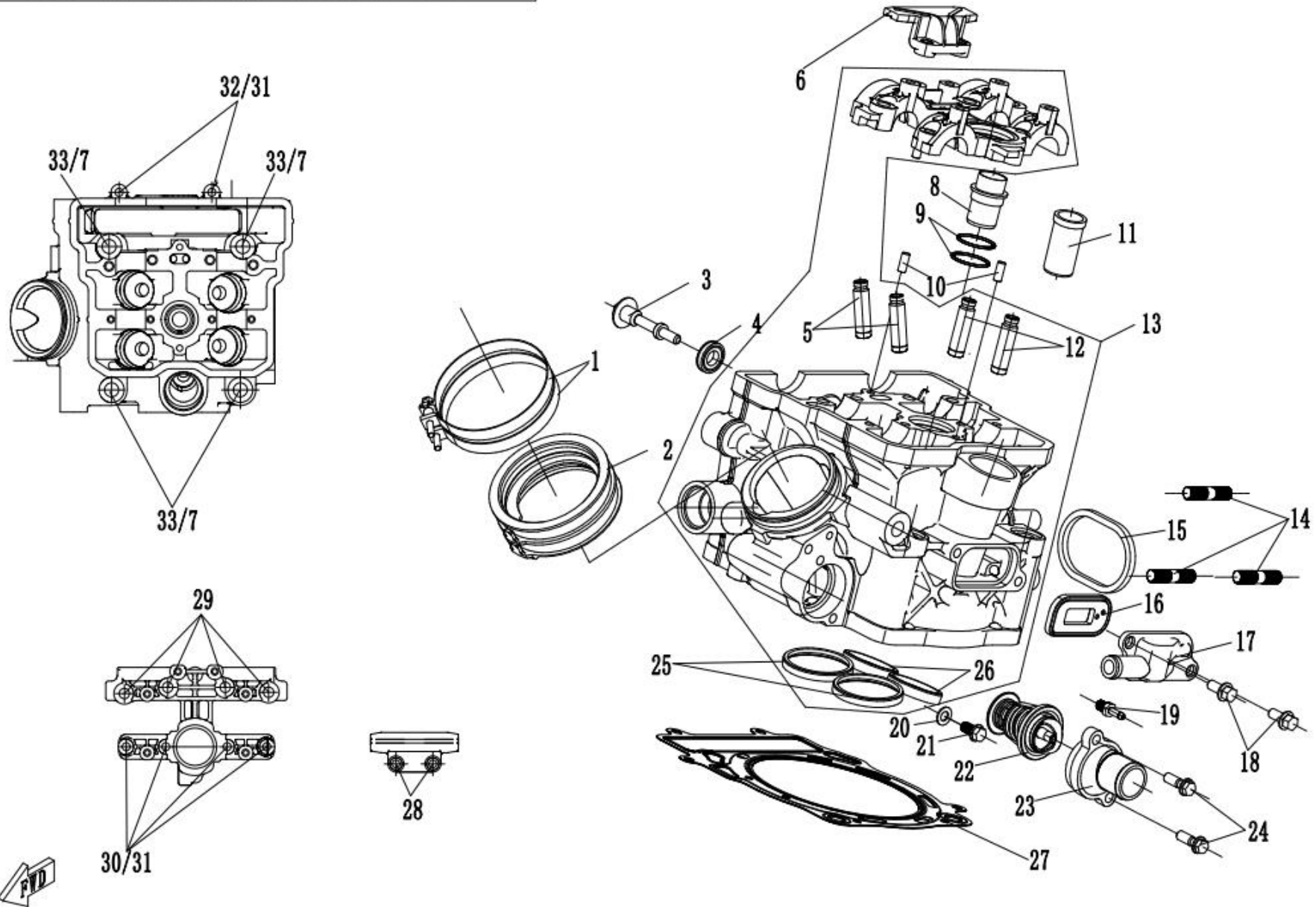
NO.	CODE	EN DESCRIPTION	QTY	REMARKS
E02-4-01	1F30-024001	EXHAUST CAMSHAFT, FRONT CYLINDER	1	
E02-4-02	1F30-024005	TIMING DRIVEN SPROCKET	4	
E02-4-03	0700-024003	RETAINER	4	
E02-4-04	30004-060012150	BOLT	6	
E02-4-05	1F30-024002	INTAKE CAMSHAFT, FRONT CYLINDER	1	
E02-4-06	30406-00501	ROLLER NEEDLE P5x7.8	4	
E02-4-07	1F30-024012	BOLT M6x18	2	
E02-4-08	1F30-024013	CENTRIFUGAL WHEEL	1	
E02-4-09	1F30-024004-10000	CAMSHAFT, AIR INTAKE	1	
E02-4-10	1F30-024003	EXHAUST CAMSHAFT, REAR CYLINDER	1	
E02-4-11	1F30-024015	WASHER 16X24X1	1	
E02-4-12	1F30-024016	OIL SEAL, SURFACE	1	
E02-4-13	1F30-024100-10000	TIMING CHAIN	2	
E02-4-14	1F30-024202	PLUG	2	
E02-4-15	0060-022001	O-SEAL RING	2	
E02-4-16	1F30-024201	BOLT PLUG	2	
E02-4-17	0180-080001	O-RING 21x2.5	2	
E02-4-18	1F30-024014	O-SEAL RING 17x2	2	
E02-4-19	1F30-024300	HYDRAULIC TENSIONOR	2	
E02-4-20	1F30-024007	TENSION PLATE	2	
E02-4-20	1F30-024007-20000	TENSION PLATE	1	
E02-4-21	1F30-024006	CHAIN GUIDE	2	
E02-4-22	1F30-024008	FIX BOLT, TENSION PLATE	4	
E02-4-22	1F30-024008-10000	FIX BOLT, TENSION PLATE	4	
E02-4-23	1F30-090001	WASHER 15.2X25X1	2	
E02-4-24	1F30-024009	TIMING DRIVE SPROCKET, FRONT CYLINDER	1	
E02-4-24	1F30-024009-00001	TIMING DUAL SPROCKET, FIRST CYLINDER	1	
E02-4-25	1F30-024020-10000	NEEDLE BEARING K15x19x24ZWT	1	
E02-4-26	1F30-024011-10000	TIMING SPROCKET SHAFT, FIRST CYLINDER	1	

F02-5后气缸盖罩分总成 REAR CYLINDER HEAD COVER



NO.	CODE	EN DESCRIPTION	QTY	REMARKS
E02-5-01	0700-021003-00001	BOLT, CYLINDER HEAD COVER	4	
E02-5-02	0700-021200	SEAL RING, CYLINDER HEAD COVER BOLT	4	
E02-5-03	1F30-025001-1H700	SECOND CYLINDER HEAD COVER	1	
E02-5-03	1F30-025001-1VR00	SECOND CYLINDER HEAD COVER	1	
E02-5-03	1F30-025001-1BP00	SECOND CYLINDER HEAD COVER	1	
E02-5-04	1F30-025004	AIR OUTLET PIPE, ENGINE	1	
E02-5-05	1F30-021004	SEAL GASKET, SPARK PLUG SLEEVE	1	
E02-5-06	1F30-021002	SEAL GASKET, CYLINDER HEAD COVER	1	
E02-5-07	30601-118021	CLAMP A18	2	
E02-5-08	1F30-025005	EXHAUST PIPE	1	
E02-5-09	0DM0-011006	O-SEAL RING 13x2	1	
E02-5-10	30502-016000F	O-RING 16x1.8	1	
E02-5-11	1F30-025002	JOINT, EXHAUST PIPE	1	
E02-5-12	1F30-025003	PLATE	1	
E02-5-13	0010-021019-0010	BOLT M6x12	1	

E02-6 后气缸盖分总成 REAR CYLINDER HEAD



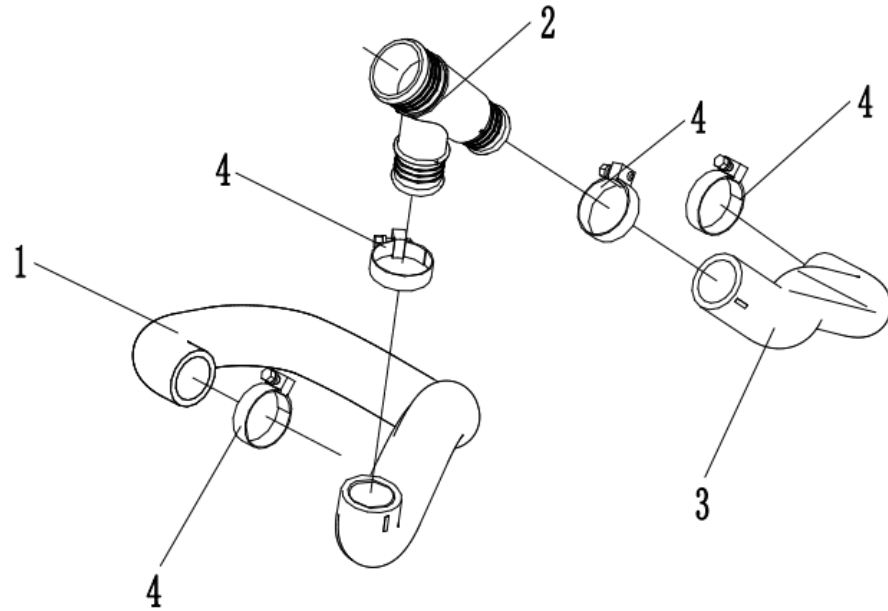
NO.	CODE	EN DESCRIPTION	QTY	REMARKS
E02-6-01	1F30-022700	CLAMP 75	2	
E02-6-02	1F30-022009	AIR INLET PIPE	1	
E02-6-03	ODM0-022008	BOLT, CYLINDER HEAD	1	ALT:- ODM0-022008-00001
E02-6-04	0700-021200	SEAL RING, CYLINDER HEAD COVER BOLT	1	
E02-6-05	1F30-022215	INTAKE VALVE GUIDE	2	
E02-6-06	1F30-022800	CHAIN GUIDE BLOCK	1	
E02-6-07	1F30-022005	WAHSER 11.5X20X2.3	4	
E02-6-08	1F30-022017	SLEEVE, SPARK PLUG	1	
E02-6-08	1F30-022017-10000	SPARK PLUG SLEEVE	1	
E02-6-09	1F30-022018	O-SEAL RING 29.87X1.78	2	
E02-6-10	30406-00500	ROLLER NEEDLE P5x11.8	2	
E02-6-11	1F30-022016	SLEEVE, SPARK PLUG	1	
E02-6-11	1F30-022016-10000	SPARK PLUG SLEEVE	1	
E02-6-12	1F30-022214	EXHAUST VALVE GUIDE	2	
E02-6-13	1F30-026200-0BP00	SECOND CYLINDER HEAD ASSY	1	
E02-6-14	1F30-022012	STUD M8X37	3	
E02-6-15	1F30-022020	GASKET, EXHAUST PIPE	1	
E02-6-16	1F30-026100-10000	SPRING VALVE ASSY	1	
E02-6-17	1F30-026001-2BP00	SPRING VALVE CAP	1	
E02-6-18	0010-090005-0010	BOLT M6x16	2	
E02-6-19	1F30-022015	CONNECTOR, VACUUM PIPE	1	
E02-6-20	0010-080011	WASHER 6x12x1	1	
E02-6-21	0010-021019-0010	BOLT M6x12	1	
E02-6-22	1F30-022900	THERMOSTAT ASSY	1	
E02-6-23	1F30-022014-10000	THERMOSTAT CAP	1	
E02-6-24	0010-023008-0010	BOLT M6x18	2	ALT:- 0010-023008-00001
E02-6-25	1F30-022212	RING, AIR INTAKE VALVE SEAT	2	
E02-6-26	1F30-022213	RING, AIR EXHAUST VALVE SEAT	2	
E02-6-27	1F30-022600	GASKET, CYLINDER HEAD	1	
E02-6-28	0010-023010-0010	BOLT M6x20	2	

---

NO.	CODE	EN DESCRIPTION	QTY	REMARKS
E02-6-29	1F30-022202-10000	INNER HEX SCREW M8x30	4	
E02-6-30	0060-030003-0030	INNER HEX SCREW M6x30	4	
E02-6-31	0060-030004-0030	WASHER 6x10.4x1.6	6	
E02-6-32	30212-060810	CAP-SHAPE BOLT M6	2	
E02-6-33	1F30-022011	CYLINDER BOLT M11x1.5x145	4	

E02-7 COOLANT OUTLET PIPE

E02-7 发动机出水管/COOLANT OUTLET PIPE

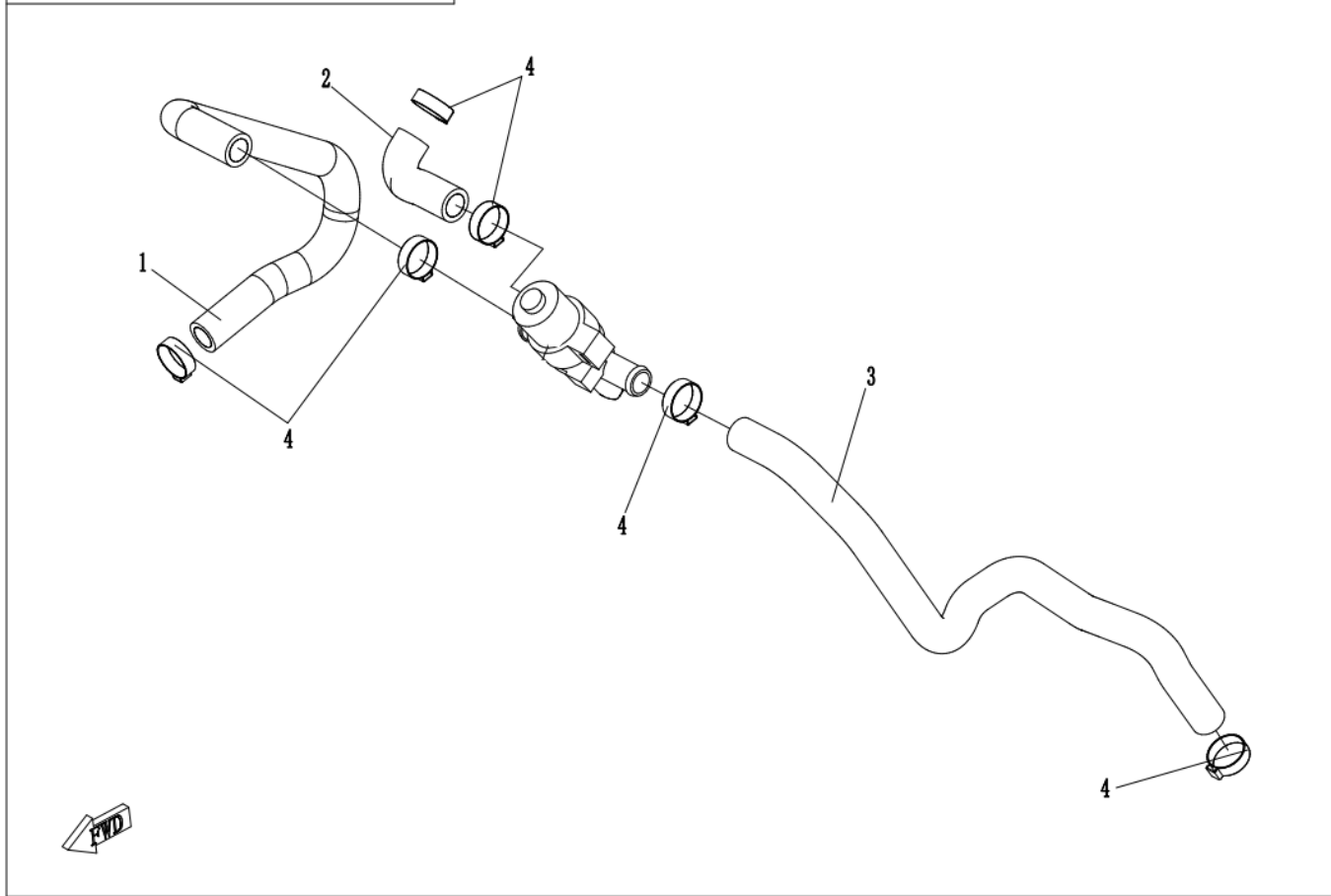


NO.	CODE	EN DESCRIPTION	QTY	REMARKS
E02-7-01	1F30-027001-10000	WATER OUTLET PIPE, FIRST CYLINDER HEAD	1	
E02-7-02	1F30-027003	T-JOINT,WATER PIPE	1	
E02-7-03	1F30-027002-10000	WATER OUTLET PIPE, SECOND CYLINDER HEAD	1	
E02-7-04	9010-180007	CLAMP, WATER HOSE	4	



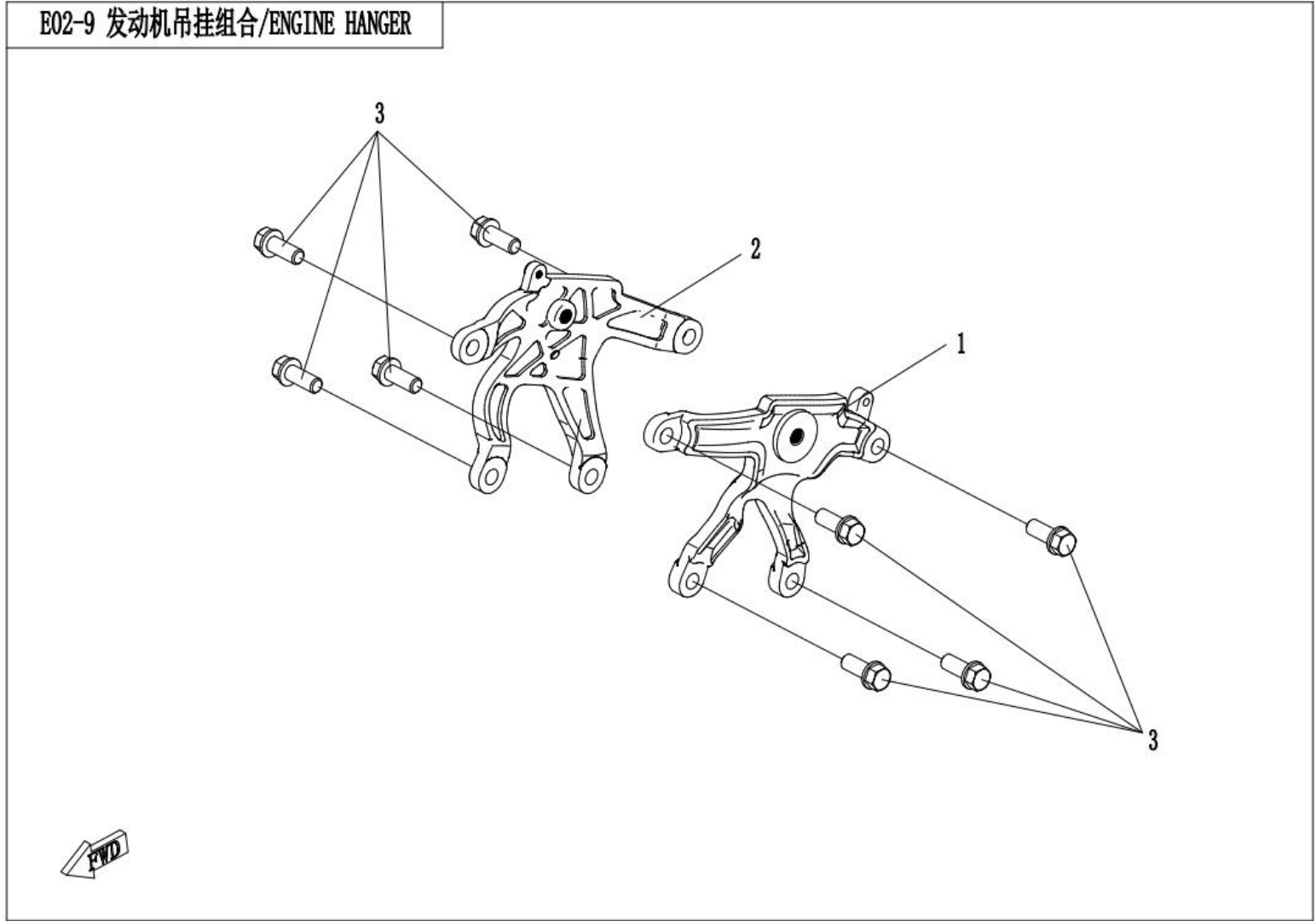
E02-8 SECONDARY AIR PIPE

E02-8 二次补气管组合/SECONDARY AIR PIPE



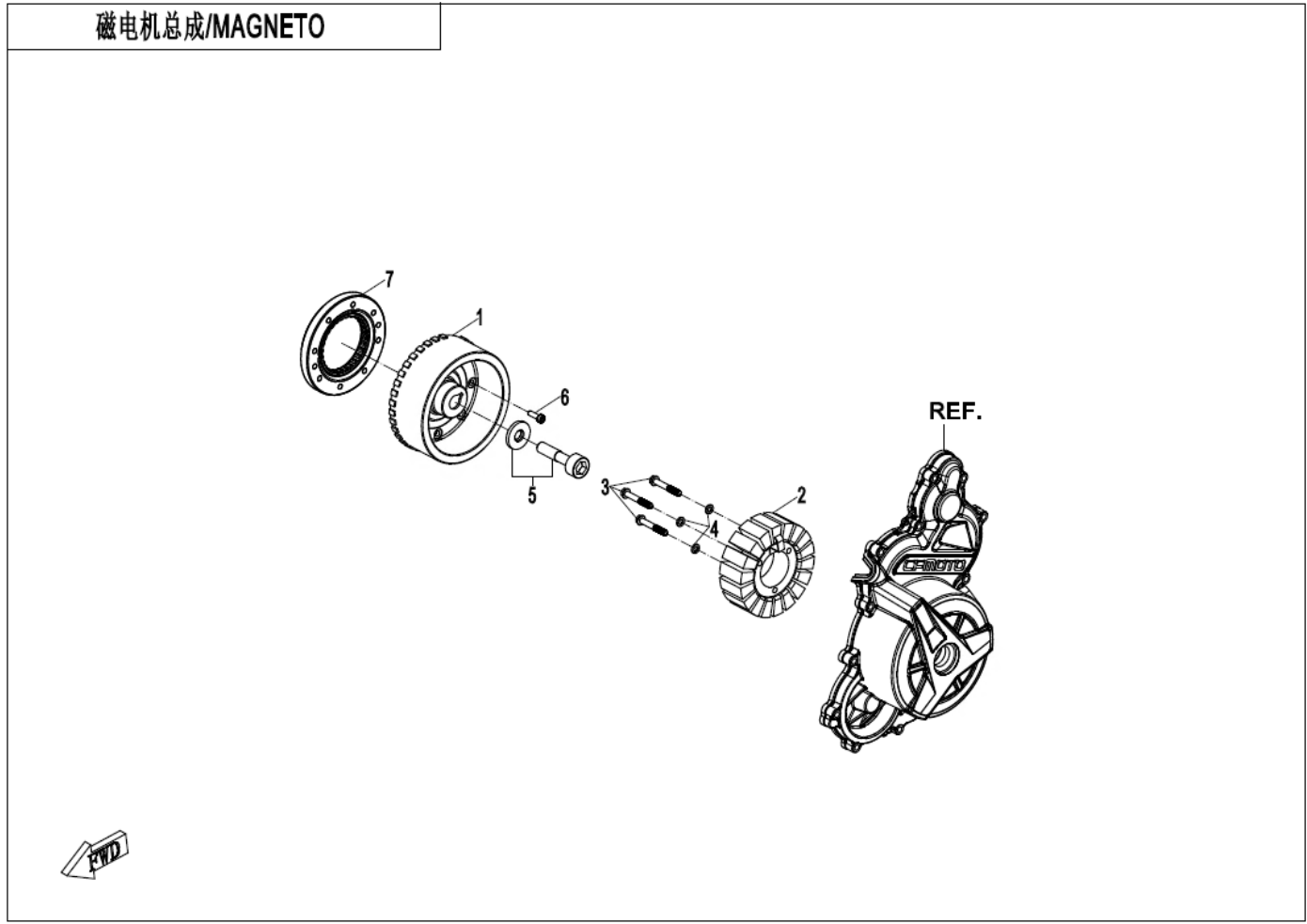
NO.	CODE	EN DESCRIPTION	QTY	REMARKS
E02-8-01	1F30-028001-10000	BLOWDOWN PIPE, FIRST CYLINDER	1	
E02-8-01	1F30-028001-10001	AIS PIPE, FIRST CYLINDER	1	
E02-8-02	1F30-028003	AIR INTAKE PIPE, ELECTRICAL CONTROL VALVE	1	
E02-8-03	1F30-028004-10000	BLOWDOWN PIPE, SECOND CYLINDER	1	
E02-8-04	1F30-028002	CLAMP	6	
E02-8-04	30601-118010	CLAMP A18	6	
E02-8-05	1F30-028005	THROTTLE PLUG	2	

E02-9 ENGINE HANGER



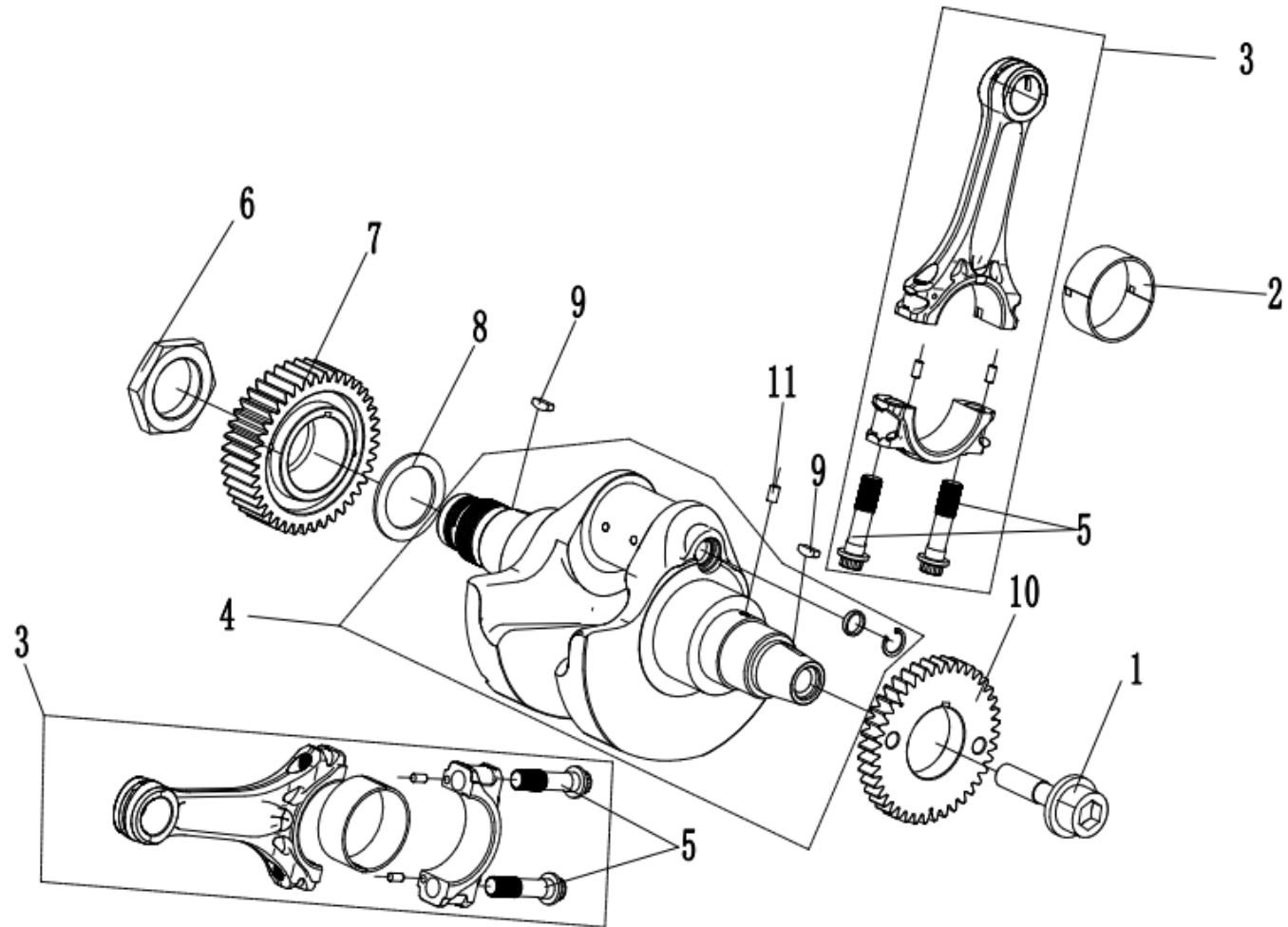
NO.	CODE	EN DESCRIPTION	QTY	REMARKS
E02-9-01	1F30-029001	LH MOUNTING BRACKET, ENGINE	1	
E02-9-01	1F30-029001-0BP00	LH HANGING BRACKET, ENGINE	1	
E02-9-02	1F30-029002	RH MOUNTING BRACKET, ENGINE	1	
E02-9-02	1F30-029002-1BP00	RH HANGING BRACKET, ENGINE	1	
E02-9-03	1F30-029003	BOLT M10x1.25x25	8	

E03 MAGNETO



NO.	CODE	EN DESCRIPTION	QTY	REMARKS
E03-01	1F30-031000	MAGNETO ROTOR	1	
E03-02	1F30-032000	MAGNETO STATOR	1	
E03-03	0180-070004-00001	BOLT M6x40	3	
E03-04	0060-030004-0030	WASHER 6x10.4x1.6	3	
E03-05	1F30-040200	BOLT KIT	1	
E03-06	1F30-090004	INNER HEX SCREW M6x20	8	
E03-07	1F30-091000	OVERRIDE CLUTCH	1	

E04-1 曲轴连杆总成 CRANKSHAFT & CONNECTING ROD

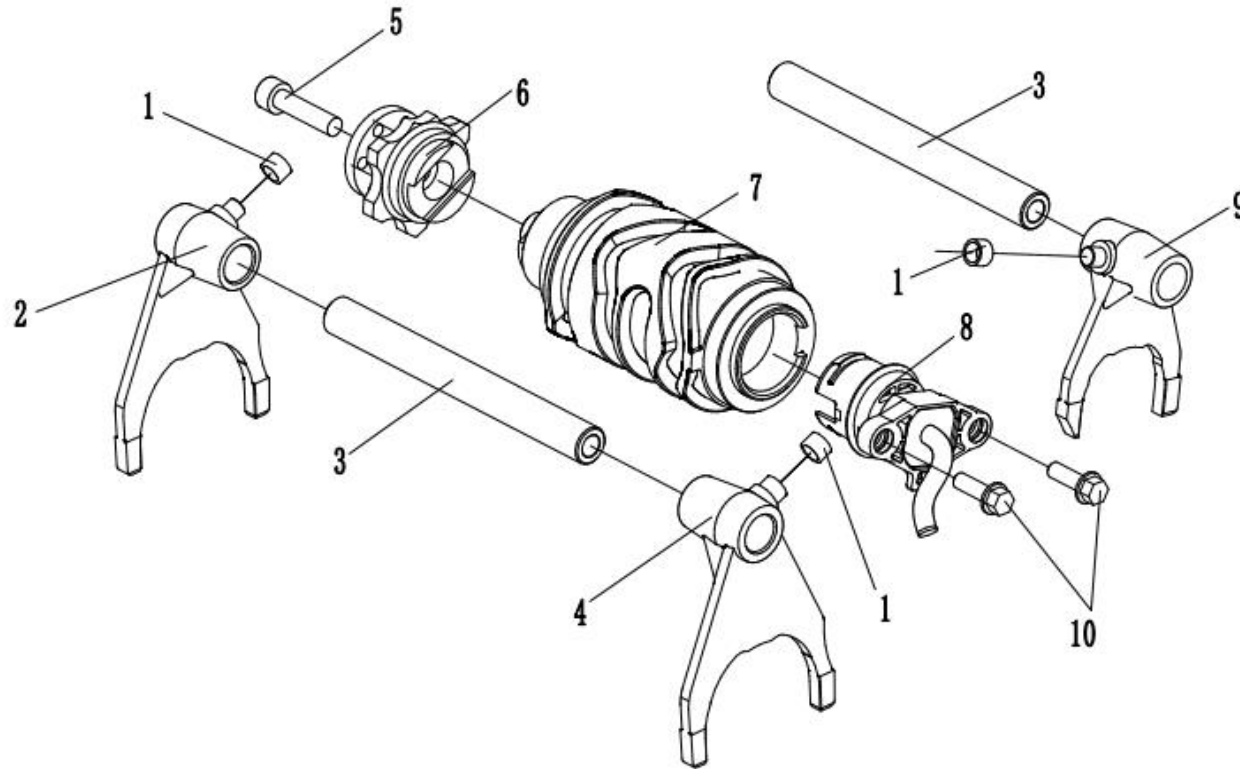


NO.	CODE	EN DESCRIPTION	QTY	REMARKS
E04-01	1F30-040200	BOLT KIT	1	
E04-02	1F30-040004-00010	BEARING, CONNECTING ROD	4	
E04-02	1F30-040004-00030	BEARING, CONNECTING ROD	4	
E04-02	1F30-040004-00020	BEARING, CONNECTING ROD	4	
E04-03	1F30-042000	CONNECTING ROD	2	
E04-03	1F30-042000-10001	CONNECTING ROD ASSY	2	
E04-03	1F30-042000-10012	CONNECTING ROD ASSY	1	
E04-03	1F30-042000-10022	CONNECTING ROD ASSY	1	
E04-04	1F30-041000-10000	CRANKSHAFT	1	
E04-05	1F30-042004	BOLT MJ10x1x40, CONNECTING ROD	4	
E04-06	1F30-040005	NUT M33x1.5 (LHT)	1	LEFT HAND THREAD
E04-07	1F30-040007-00010	PRIMARY DRIVE GEAR	1	
E04-08	1F30-040006	WASHER M33.2x46x2	1	
E04-09	0180-040007	WOODRUFF KEY	2	
E04-10	1F30-040008-10000	LH BALANCE DRIVE GEAR	1	
E04-11	30406-00501	ROLLER NEEDLE P5x7.8	1	



NO.	CODE	EN DESCRIPTION	QTY	REMARKS
E05-01	1F30-050004	NUT M22x1.5	1	
E05-02	1F30-050003	WASHER	1	
E05-04	1F30-051002	CENTRAL SLEEVE	1	
E05-06	1F30-051100	OUTER GUARD ASSY	1	
E05-07	1F30-050002	DRIVE GEAR, OIL PUMP	1	
E05-08	1F30-051020	FRICITION DISC B	3	
E05-10	1F30-051010	FRICITION DISC A	7	
E05-13	1F30-051006	STEEL PLATE B	1	
E05-14	1F30-051005	STEEL PLATE A	8	
E05-15	30406-00305	ROLLER PIN	1	
E05-16	1F30-051007	PRESS PLATE	1	
E05-17	1F30-052000	CAB FRAME	1	
E05-18	30400-01702	BEARING 6003	1	
E05-20	1F30-051012	SPRING SEAT, CLUTCH	3	
E05-23	1F30-051000-00010	CLUTCH SUB ASSY	1	
E05-23	1F30-051000-00020	CLUCTH SUB ASSY	1	
E05-23	1F30-051000-10010	CLUTCH ASSY	1	
E05-23	1F30-051000-10020	CLUTCH ASSY	1	

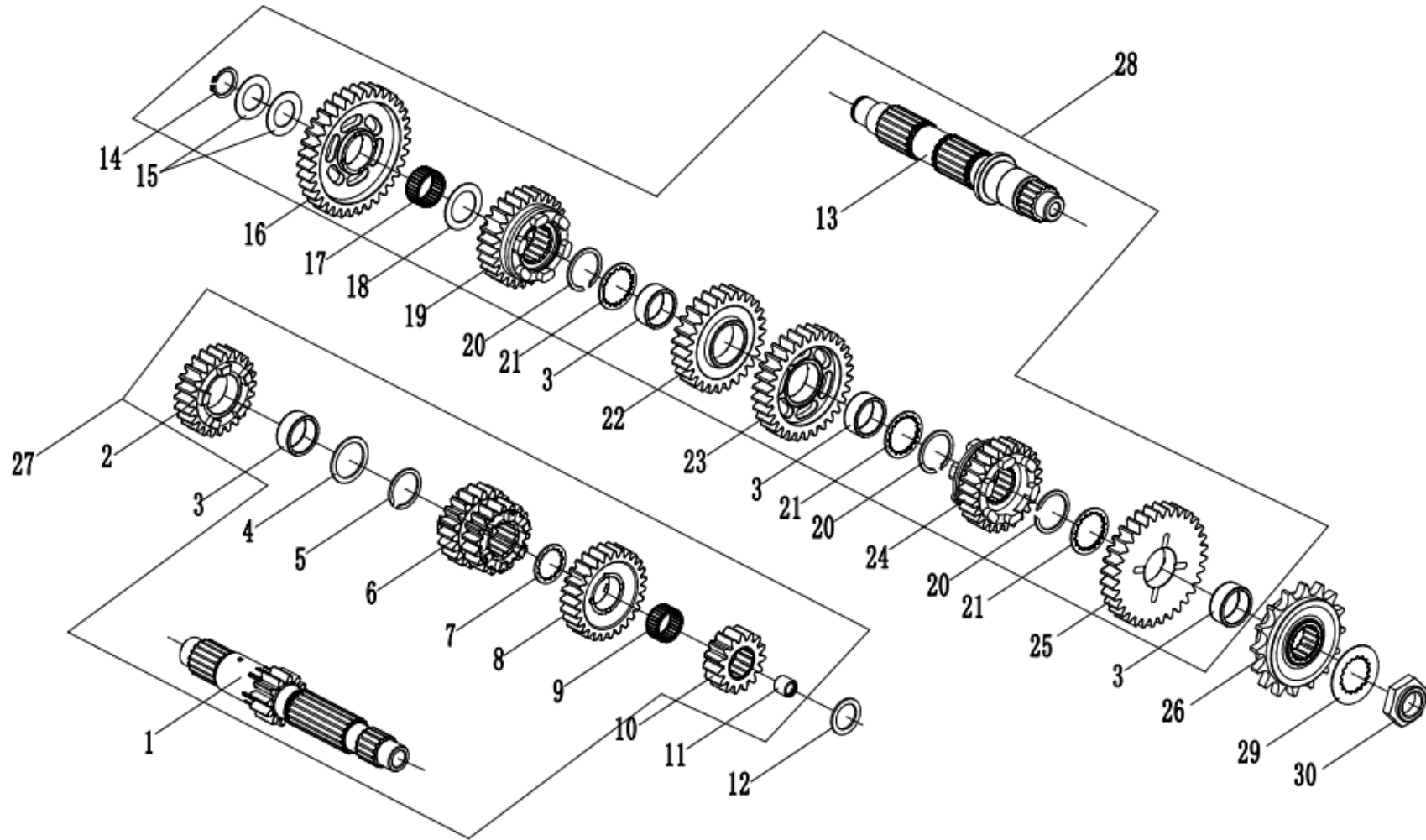
E06-1 换档变速总成 (1) TRANSMISSION SYSTEM (1)





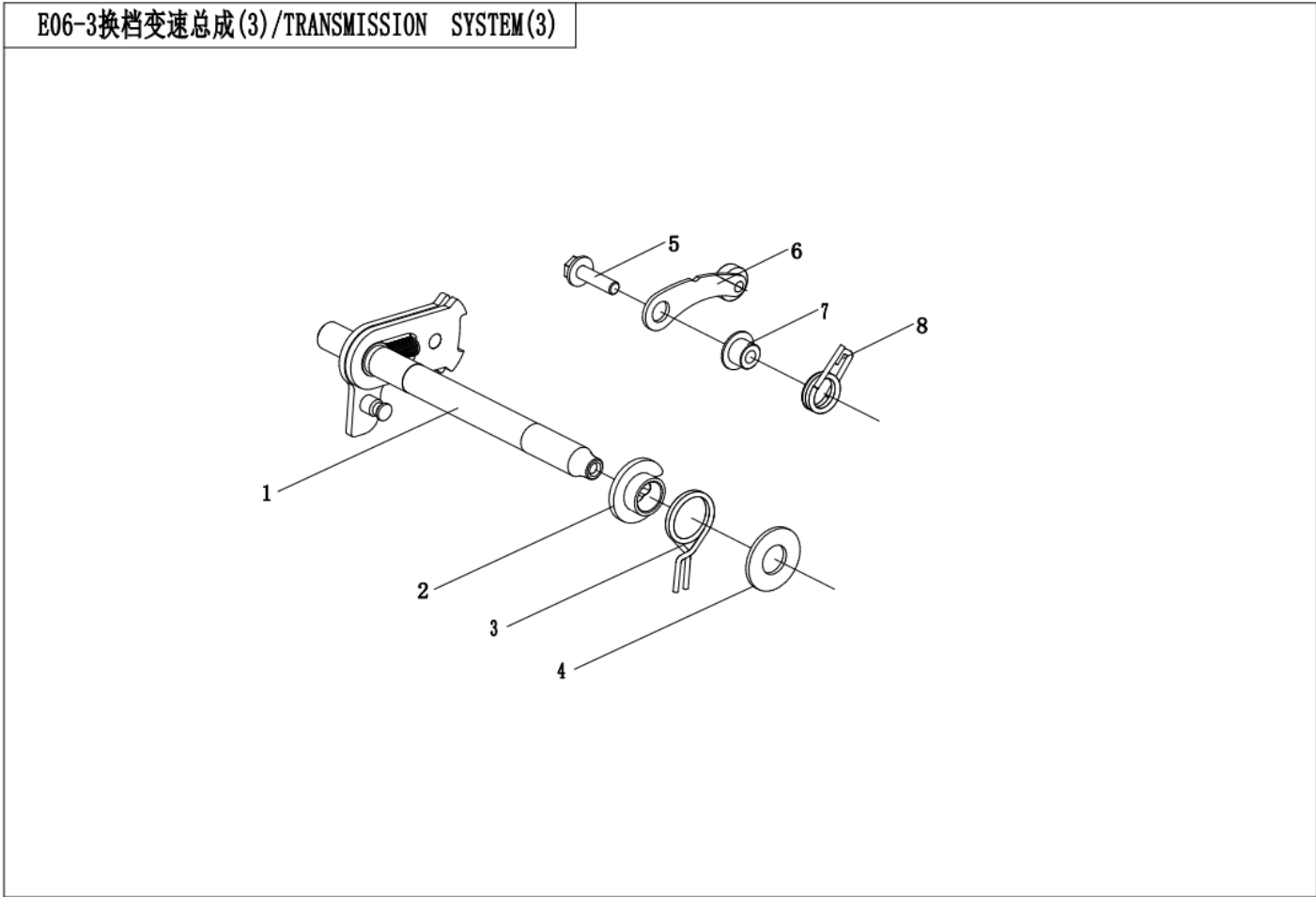
NO.	CODE	EN DESCRIPTION	QTY	REMARKS
E06-1-01	1F30-060008	SHAFT SLEEVE 6X8X5.2	3	
E06-1-02	1F30-060006	FORK, COUNTERSHAFT (GEAR 1-4)	1	
E06-1-03	1F30-060003	FORK SHAFT	2	
E06-1-04	1F30-060007	FORK, COUNTERSHAFT (GEAR 2-3)	1	
E06-1-05	0060-030003-00001	INNER HEX SCREW M6x30	1	
E06-1-06	1F30-063200	THUMBWHEEL ASSY	1	
E06-1-07	1F30-063101-10001	SHIFT DRUM	1	
E06-1-08	1F30-063300	GEAR SENSOR ASSY.	1	
E06-1-09	1F30-060005	FORK, MAIN SHAFT	1	
E06-1-10	1F30-063001	BOLT M5x16	2	

E06-2 换档变速总成(2)/TRANSMISSION SYSTEM(2)



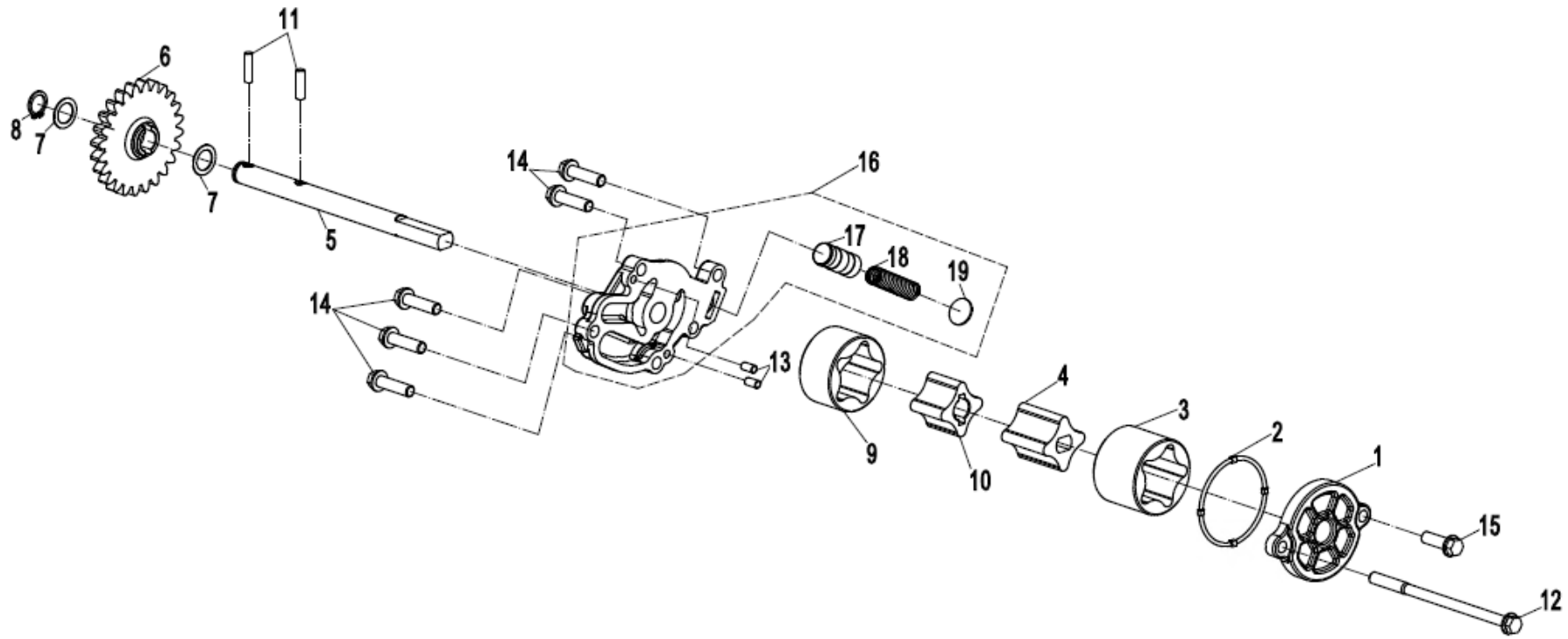
NO.	CODE	EN DESCRIPTION	QTY	REMARKS
E06-2-01	1F30-061001	MAIN SHAFT	1	
E06-2-02	1F30-061002	FIFTH GEAR, MAIN SHAFT	1	
E06-2-03	1F30-061100	BEARING K26x31x13D	4	
E06-2-04	1F30-061003	RETAINER	1	
E06-2-05	1F30-061004	RETAINER	1	
E06-2-06	1F30-061005-10000	THIRD&FORTH GEAR, MAIN SHAFT	1	
E06-2-07	1F30-061006	RETAINER, SPLINE	1	
E06-2-08	1F30-061007-10000	MAIN SHAFT 6TH GEAR	1	
E06-2-09	1F30-061200	BEARING K22x26x13D	1	
E06-2-10	1F30-061008-10000	MAIN SHAFT 2ND GEAR	1	
E06-2-11	30403-00900	BEARING	1	
E06-2-12	1F30-060002	ADJUSTING WASHER 20.2X28	1	
E06-2-13	1F30-062001	COUNTERSHAFT	1	
E06-2-14	30801-02005	CIRCLIPS FOR SHAFT 20	1	
E06-2-15	1F30-062012	RETAINER 20.2x34x1	2	
E06-2-16	1F30-062011	FIRST GEAR, COUNTERSHAFT	1	
E06-2-17	1F30-062100	BEARING K24x28x13	1	
E06-2-18	1F30-062003	RETAINER 24.2x36x1	1	
E06-2-19	1F30-062009-10000	FIFTH GEAR, COUNTERSHAFT	1	
E06-2-20	1F30-062004	RETAINER 27.5	3	
E06-2-21	1F30-062006	RETAINER, SPLINE 27.3x36x1.5	3	
E06-2-22	1F30-062008-10000	FORTH GEAR, COUNTERSHAFT	1	
E06-2-23	1F30-062007-10000	THIRD GEAR, COUNTERSHAFT	1	
E06-2-24	1F30-062005-10000	SIXTH GEAR, COUNTERSHAFT	1	
E06-2-25	1F30-062002-10000	SECND GEAR, COUNTERSHAFT	1	
E06-2-26	1F30-060020-30000	OUTPUT SPROCKET, COUNTERSHAFT	1	
E06-2-27	1F30-061000-10000	MAIN SHAFT ASSY	1	
E06-2-28	1F30-062000-10000	COUNTERSHAFT ASSY	1	
E06-2-29	1F30-060011	LOCK WASHER	1	
E06-2-30	1F30-060012	NUT M20x1.5	1	

E06-3 TRANSMISSION SYSTEM (3)



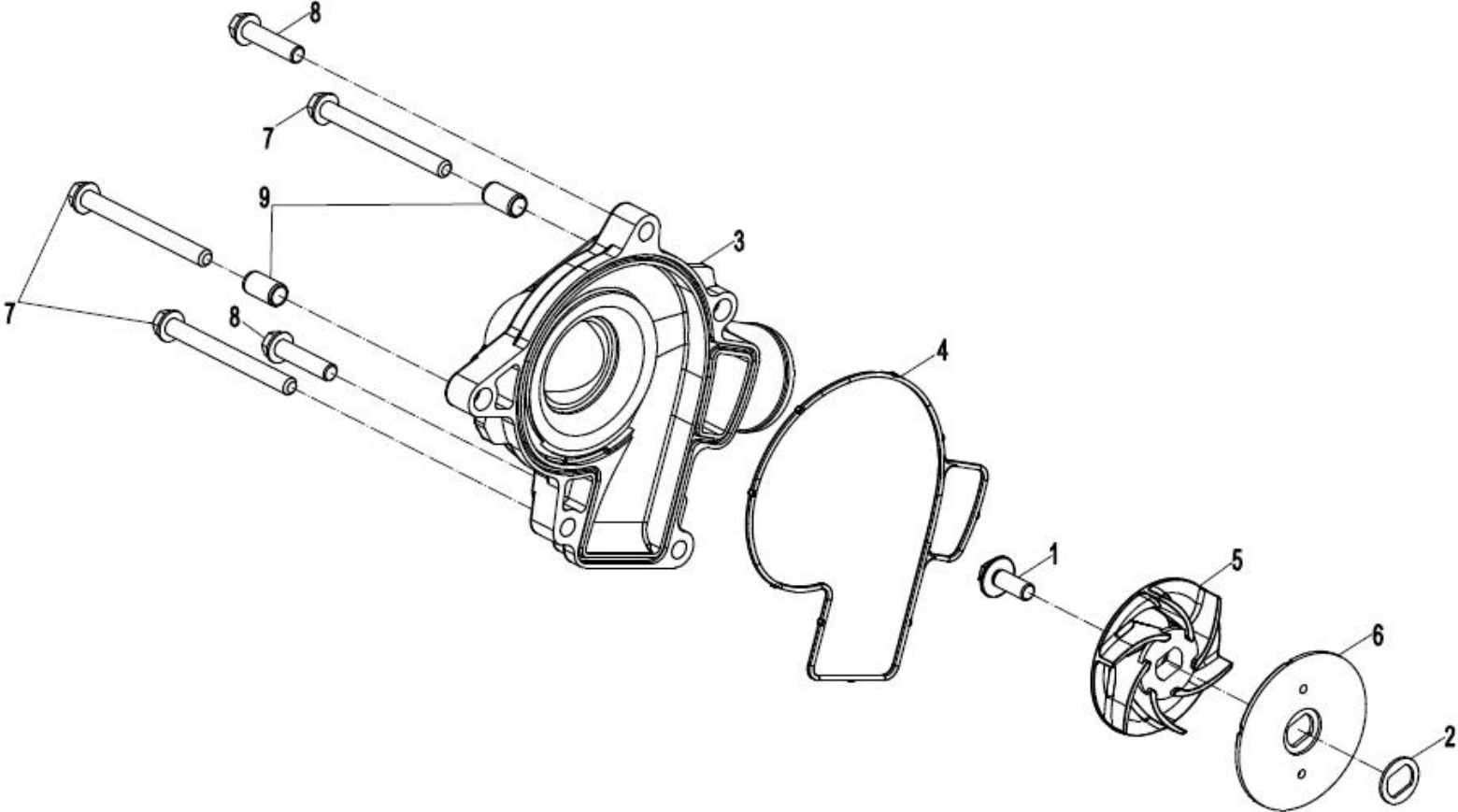
NO.	CODE	EN DESCRIPTION	QTY	REMARKS
E06-3-01	1F30-065100-10000	SHIFT SHAFT	1	
E06-3-02	1F30-065001	GUIDE SLEEVE, SPRING	1	
E06-3-03	1F30-065002	RETURN SPRING	1	
E06-3-04	1F30-065003	WASHER 14X30X2	1	
E06-3-05	1F30-064002	FLANGE BOLT M6x22	1	
E06-3-06	1F30-064100	SPRING, SWINGARM	1	
E06-3-07	1F30-064003	SHAFT SLEEVE	1	
E06-3-08	1F30-064001	SPRING, SWINGARM	1	

机油泵总成/OIL PUMP ASSY



NO.	CODE	EN DESCRIPTION	QTY	REMARKS
E07-01	1F30-070001-0BP00	LH OIL PUMP COVER	1	
E07-02	1F30-070002-10000	O-SEAL RING 44x2	1	
E07-03	1F30-070003	OUTER ROTOR, AUXILIARY OIL PUMP	1	
E07-04	1F30-070004	INNER ROTOR, AUXILIARY OIL PUMP	1	
E07-05	1F30-070005	SHAFT,OIL PUMP	1	
E07-06	1F30-070007	DRIVEN GEAR, OIL PUMP	1	
E07-07	1F30-070006	WAHSER 11X16X0.5	2	
E07-08	30801-01100	CIRCLIPS FOR SHAFT 11	1	
E07-09	0700-071007	OUTER ROTOR, AUXILIARY OIL PUMP	1	
E07-10	0700-071008	INNER ROTOR, AUXILIARY OIL PUMP	1	
E07-11	30406-00400	ROLLER NEEDLE P4x15.8	2	
E07-12	1F30-011012	BOLT M6x98	1	
E07-13	30406-00401	ROLLER NEEDLE P4x7.8	2	
E07-14	0010-080013-0010	BOLT M6x22	5	
E07-15	0010-023008-00001	BOLT M6x18	1	
E07-16	1F30-070100	OIL PUMP COVER	1	
E07-17	1F30-070102	PLUNGER	1	
E07-18	1F30-070103	SPRING	1	
E07-19	1F30-070104	WASHER 14	1	

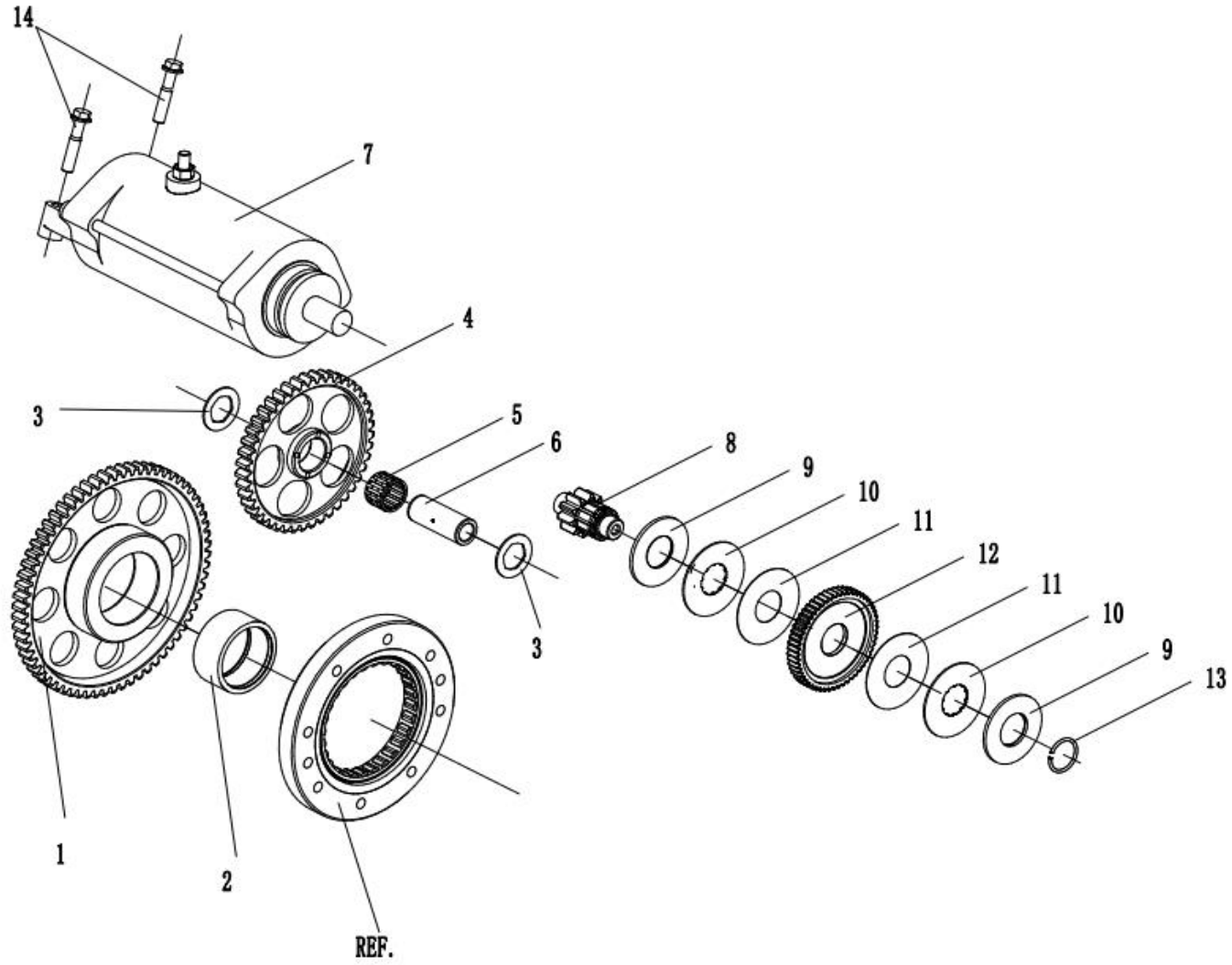
水泵总成/WATER PUMP



NO.	CODE	EN DESCRIPTION	QTY	REMARKS
E08-01	1F30-080006	BOLT M6x16	1	
E08-02	1F30-080003	WAHSER	1	
E08-03	1F30-080004	WATER PUMP COVER	1	
E08-03	1F30-080004-0BP01	WATER PUMP COVER	1	
E08-03	1F30-080004-0B200	WATER PUMP COVER	1	
E08-04	1F30-080005	SEAL RING, WATER PUMP COVER	1	
E08-05	1F30-080011	IMPELLER, WATER PUMP	1	
E08-06	1F30-080012	IMPELLER COVER, WATER PUMP	1	
E08-07	0010-011017-0010	BOLT M6x60	3	
E08-08	0010-021017-0010	BOLT M6x25	2	
E08-09	0010-080008	DOWEL PIN	2	
E08-10	0700-081200	WATER SEAL ASSY	1	

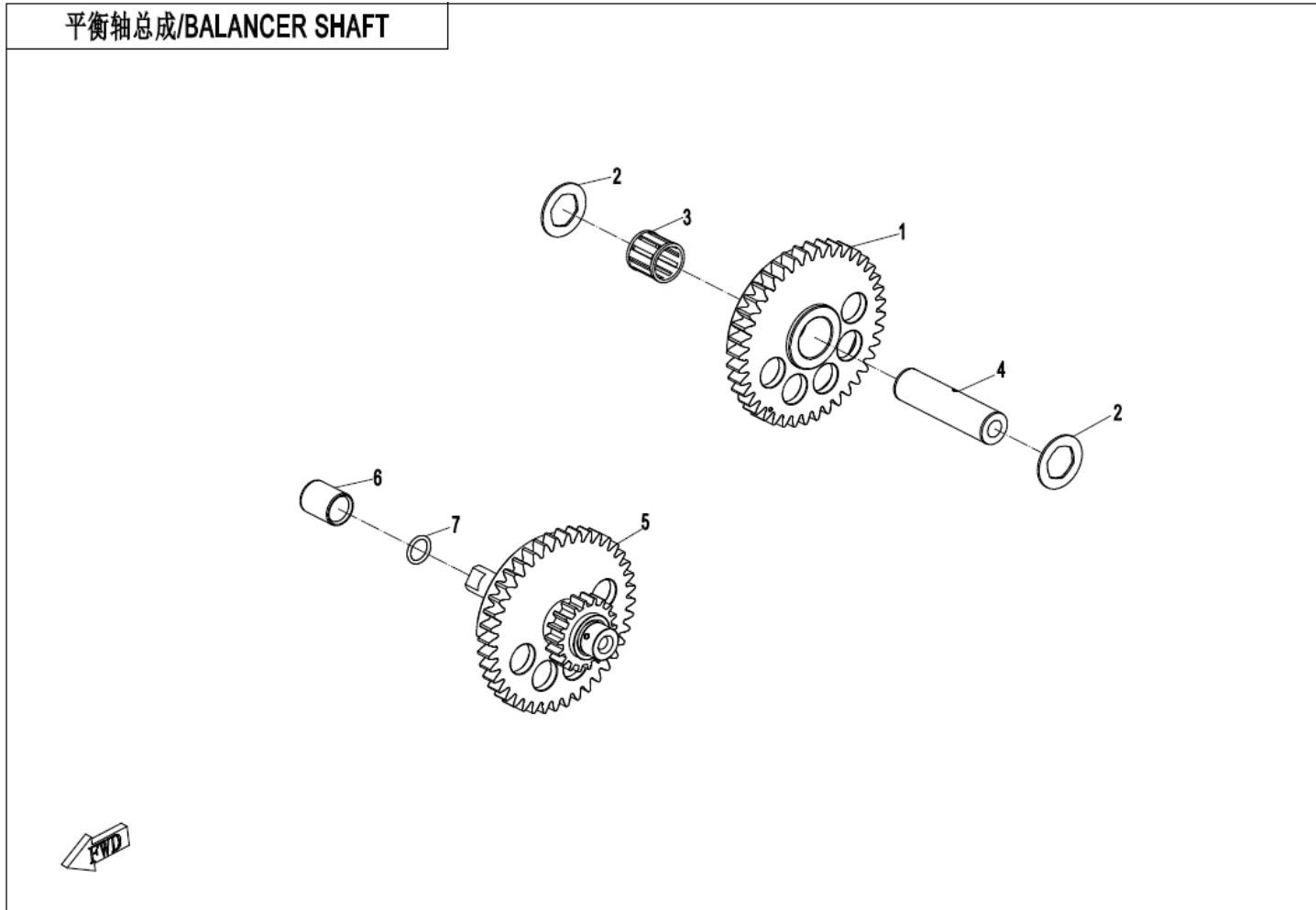


E09 启动系统总成/STARTING SYSTEM



NO.	CODE	EN DESCRIPTION	QTY	REMARKS
E09-01	1F30-094001	GEAR, STARTER	1	
E09-02	30403-03500	NEEDLE BEARING	1	
E09-03	1F30-090001	WASHER 15.2X25X1	2	
E09-04	1F30-090003	IDLE GEAR	1	
E09-05	1F30-095000	NEEDLE BEARING K15X19X13	1	
E09-06	1F30-090002-10000	IDLE GEAR SHAFT	1	
E09-07	1F30-093000	STARTER MOTOR	1	
E09-08	1F30-092004	SECONDARY REDUCTION GEAR	1	
E09-09	1F30-092003	SPRING 18.4X40X2	2	
E09-10	1F30-092002-00100	SPLINE WASHER 18.3X43	2	
E09-11	1F30-092005	FRICTION DISK 18.4X44X0.38	2	
E09-12	1F30-092001	PRIMARY REDUCTION GEAR	1	
E09-13	30806-01805	CIRCLIP	1	
E09-14	0010-060012-0010	BOLT M6x30	2	

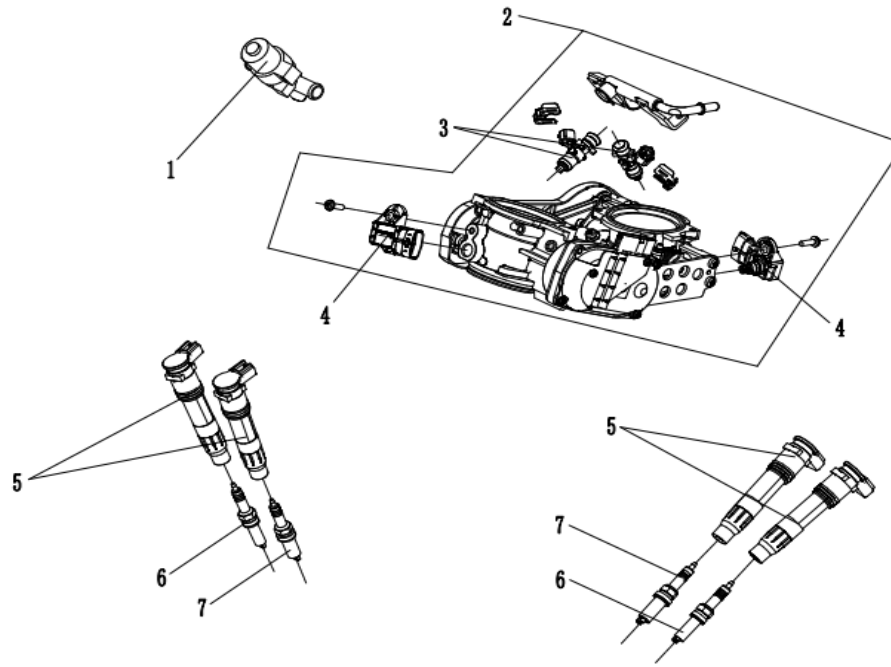
E16 BALANCER SHAFT



NO.	CODE	EN DESCRIPTION	QTY	REMARKS
E16-01	1F30-161001-10000	BALANCER BLOCK, LH GEAR	1	
E16-02	1F30-161003	WASHER 15.2x28x1	2	
E16-03	1F30-161100-10000	NEEDLE BEARING KMJ15x21x16.8x1SK	1	
E16-04	1F30-161002	LH BALANCER SHAFT	1	
E16-05	1F30-162001-40000	TIMING SPROCKET SHAFT	1	
E16-06	1F30-162002-20000	SHAFT SLEEVE	1	
E16-07	1F30-162003	O-SEAL RING 9X1.5	1	

E17 ELECTRICAL PARTS

E17 电装总成/ELECTRICAL PARTS



NO.	CODE	EN DESCRIPTION	QTY	REMARKS
E17-01	1F30-179000	SECONDARY GULP VALVE	1	
E17-02	1F30-173000	ELECTRONIC THROTTLE BODY	1	
E17-03	1F30-171000	FUEL INJECTOR	2	
E17-04	OJY0-175000	T-MAP	2	
E17-05	1F30-178000-10001	IGNITION COIL	4	
E17-06	1F30-022400	SPARK PLUG	2	
E17-07	1F30-022500	SPARK PLUG	2	